

SR861 (B674)

SR861 (B674)

PARTS CATALOG

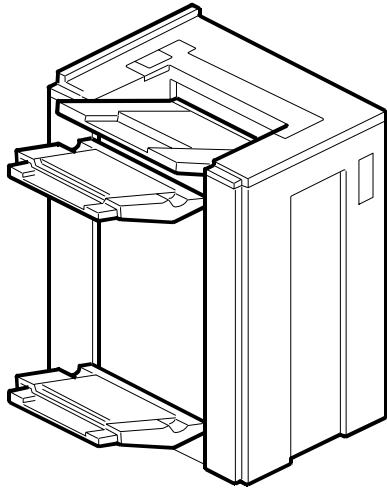
This catalog gives the numbers and names of parts on this machine.

LOCATION OF UNIT	2	17.LOWER PAPER EXIT 2 (B674))	38
1.EXTERIOR (B674)	6	18.DRIVE SECTION 1 (B674).....	40
2.PAPER TRANSFER (B674).....	8	19.DRIVE SECTION 2 (B674).....	42
3.SHIFT TRANSFER SECTION 1 (B674).....	10	20.ELECTRICAL SECTION (B674).....	44
4.SHIFT TRANSFER SECTION 2 (B674).....	12	21.FRAME SECTION (B674)	46
5.SHIFT TRANSFER SECTION 3 (B674).....	14	22.DECAL AND DOCUMENTS (B674)	48
6.STAPLE TRANSFER SECTION 1 (B674)	16	PARTS INDEX.....	51
7.STAPLE TRANSFER SECTION 2 (B674)	18		
8.STAPLE TRAY 1 (B674)	20		
9.STAPLE TRAY 2 (B674)	22		
10.STAPLE TRAY 3 (B674)	24		
11.STAPLE TRAY 4 (B674)	26		
12.STAPLE TRAY 5 (B674)	28		
13.PAPER CRIMP SECTION 1 (B674).....	30		
14.PAPER CRIMP SECTION 2 (B674).....	32		
15.UPPER PAPER EXIT (B674).....	34		
16.LOWER PAPER EXIT 1 (B674)	36		

August ,10 ' 2004

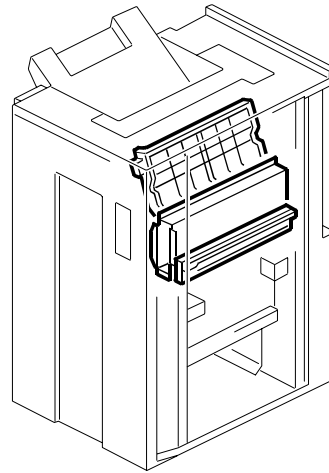
LOCATIONS OF UNITS

1. EXTERIOR (B674)



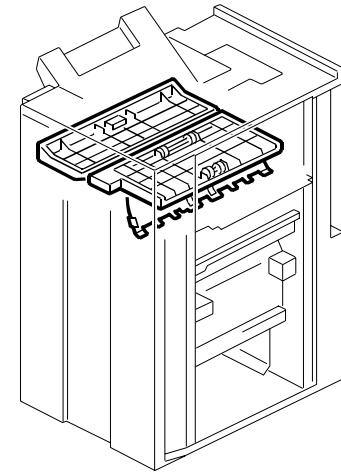
See Page 7

2. PAPER TRANSFER (B674)



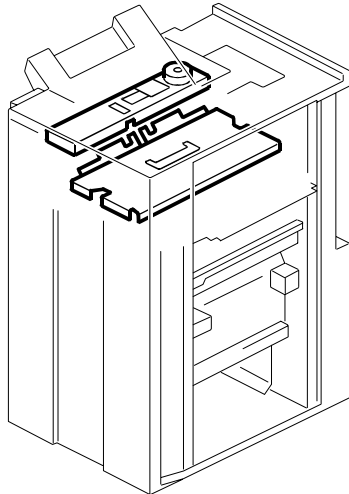
See Page 9

3. SHIFT TRANSFER SECTION 1 (B674)



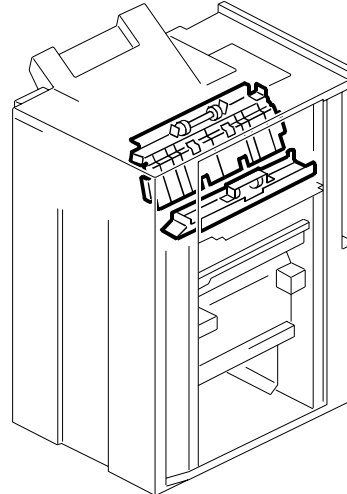
See Page 11

4. SHIFT TRANSFER SECTION 2 (B674)



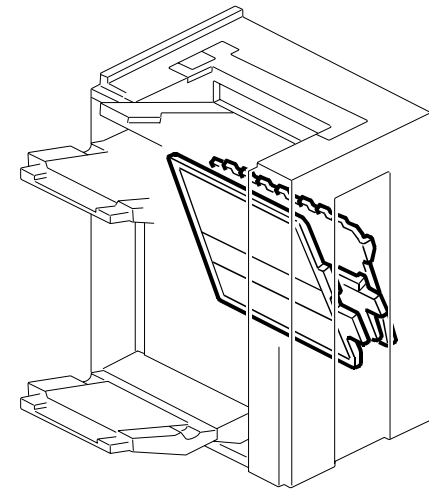
See Page 13

5. SHIFT TRANSFER SECTION 3 (B674)



See Page 15

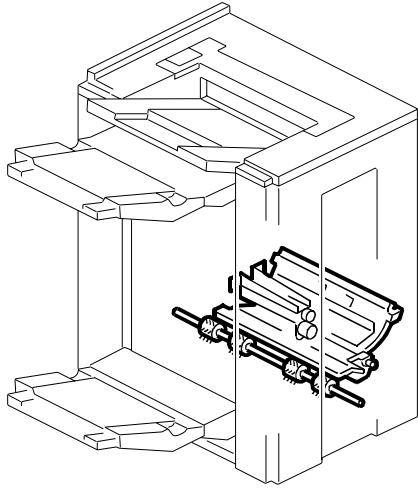
6. STAPLE TRANSFER SECTION 1



See Page 17

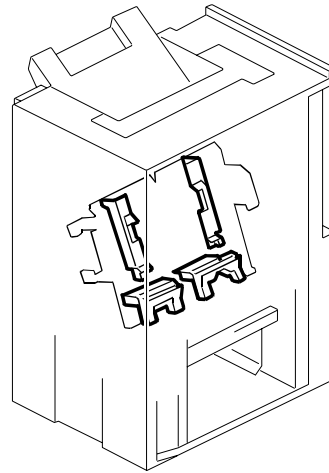
LOCATIONS OF UNITS

7. STAPLE TRANSFER SECTION 2



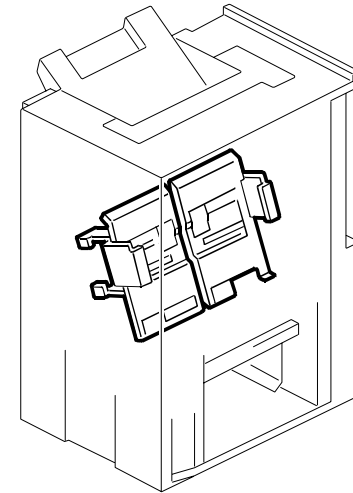
See Page 19

8. STAPLE TRAY 1 (B674)



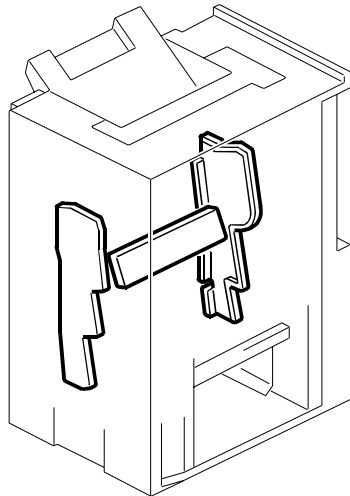
See Page 21

9. STAPLE TRAY 2 (B674)



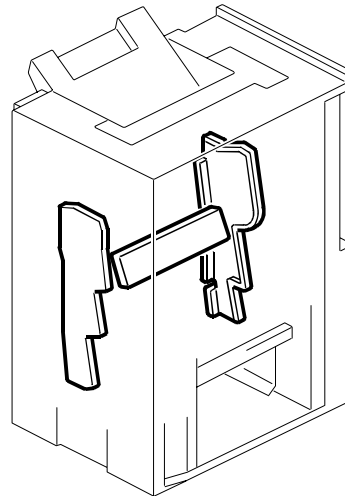
See Page 23

10. STAPLE TRAY 3 (B674)



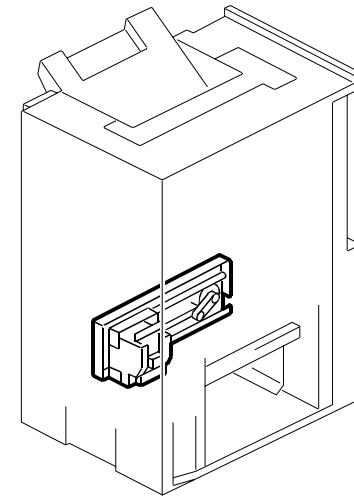
See Page 25

11. STAPLE TRAY 4 (B674)



See Page 27

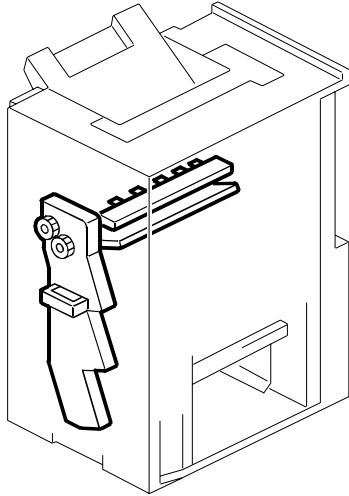
12. STAPLE TRAY 5 (B674)



See Page 29

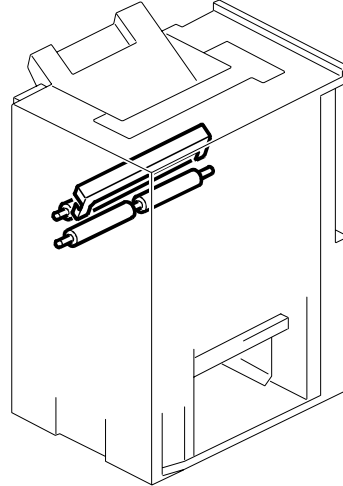
LOCATIONS OF UNITS

13. PAPER CRIMP SECTION 1 (B674)



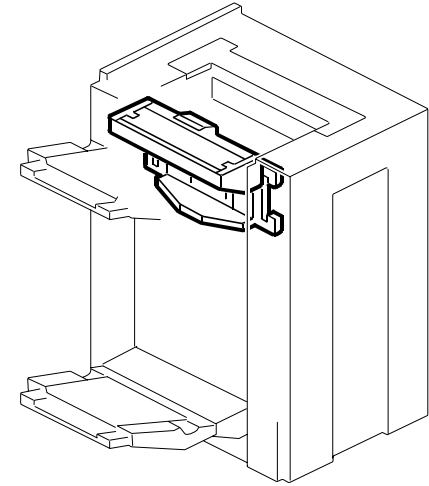
See Page 31

14. PAPER CRIMP SECTION 2 (B674)



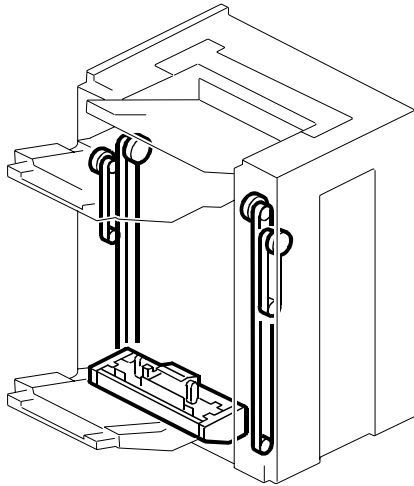
See Page 33

15. UPPER PAPER EXIT (B674)



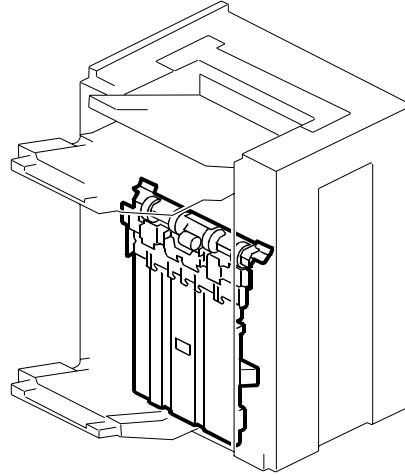
See Page 35

16. LOWER PAPER EXIT 1 (B674)



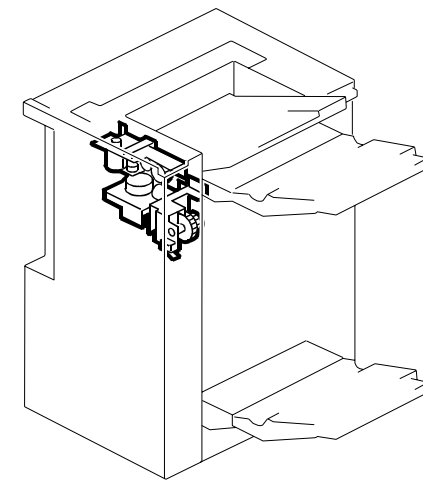
See Page 37

17. LOWER PAPER EXIT 2 (B674))



See Page 39

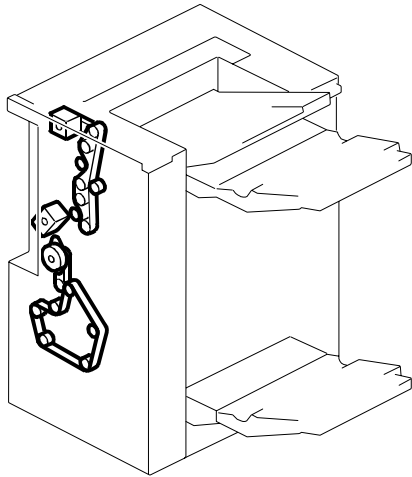
18. DRIVE SECTION 1 (B674)



See Page 41

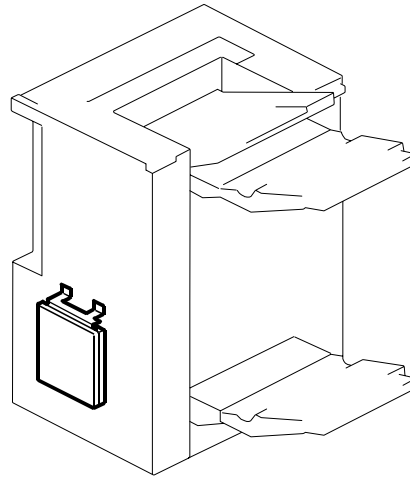
LOCATIONS OF UNITS

19. DRIVE SECTION 2 (B674)



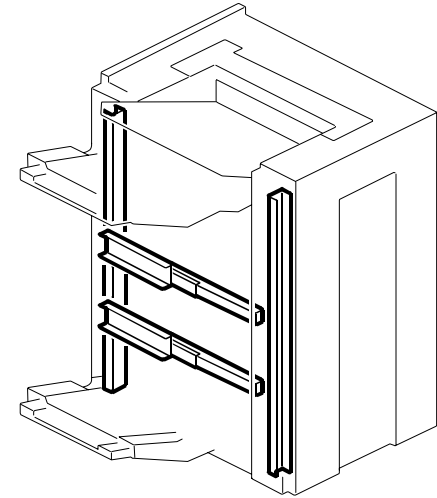
See Page 43

20. ELECTRICAL SECTION (B674)



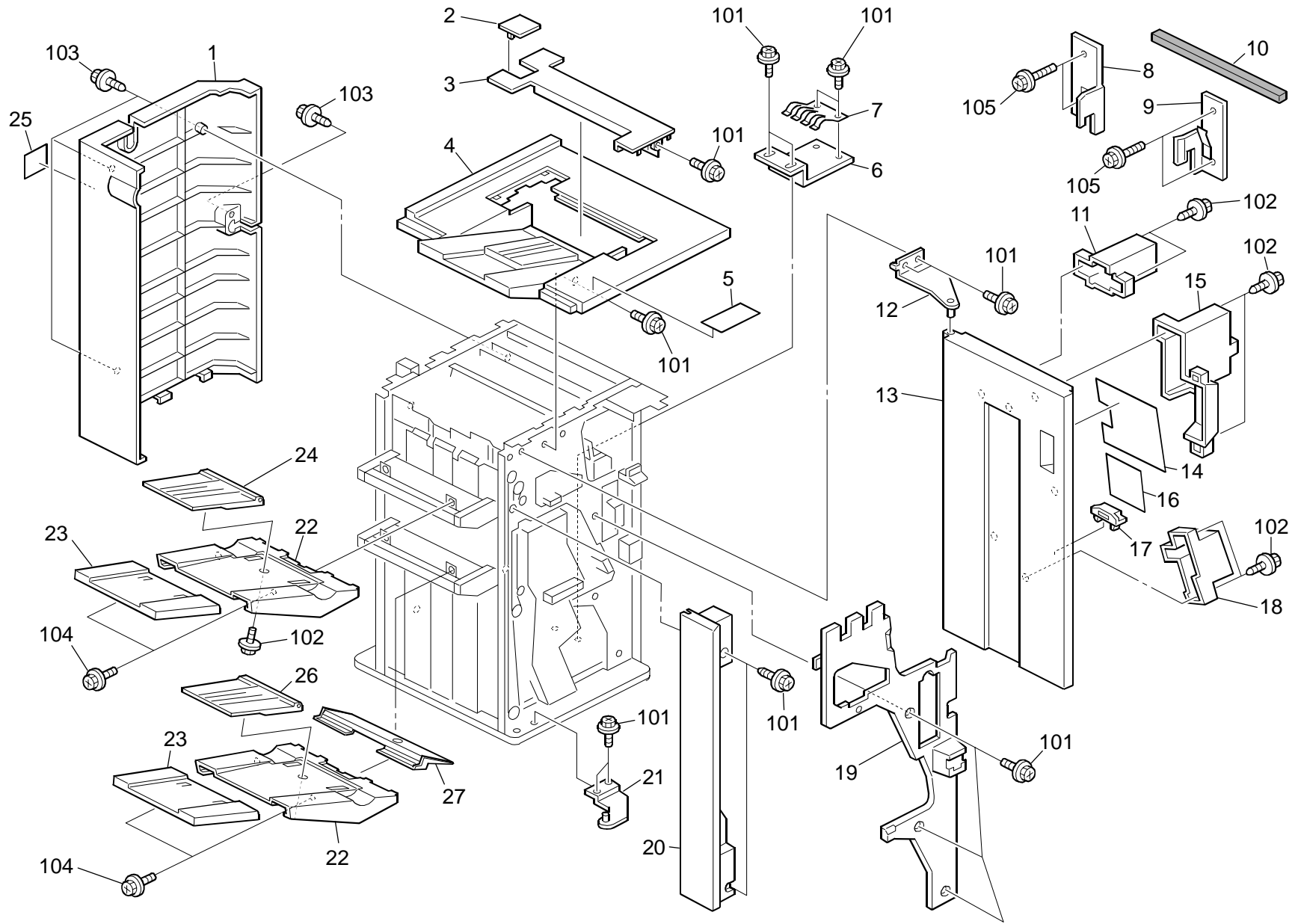
See Page 45

21. FRAME SECTION (B674)



See Page 47

1.EXTERIOR (B674)

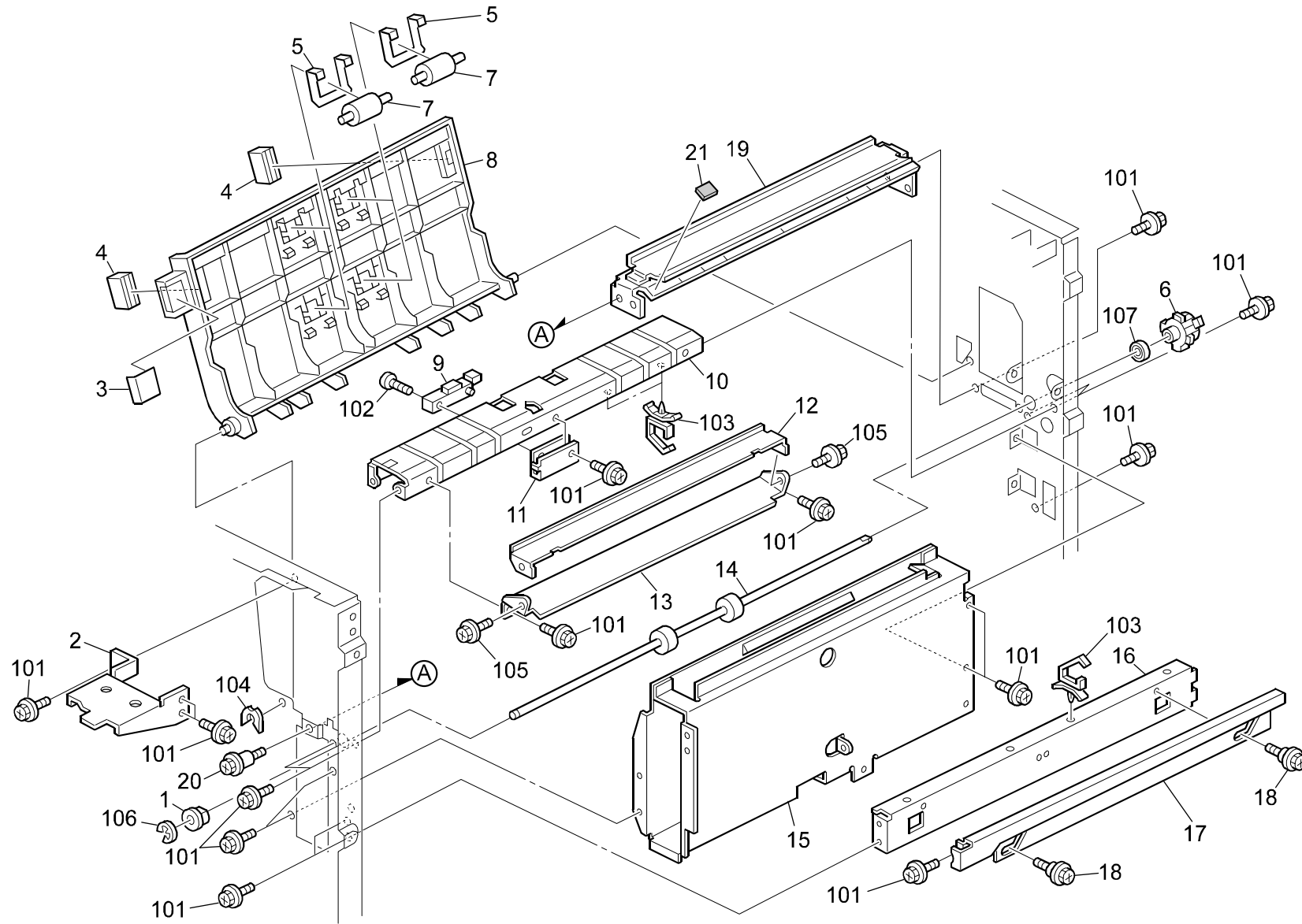


1.EXTERIOR (B674)

Index No.	Part No.	Description	Q'ty Per Assembly
1	B468 1631	Rear Cover	1
2	B468 1618	Connector Cover	1
3	B468 1616	Small Upper Cover	1
4	B468 1611	Upper Cover	1
5	B468 7812	Caution Decal - Tray Fall	1
6	B302 1164	Grounding Plate Bracket	1
7	B302 1163	Grounding Plate	1
8	A697 1144	Rear Joint Bracket	1
9	A697 1153	Front Joint Bracket	1
10	B468 6511	Spacer Cushion - 20mm	1
11	B468 1628	Upper Stopper	1
12	B468 1711	Upper Hinge	1
13	B468 1625	Front Cover	1
14	B468 7806	Decal - Misfeed Removal	1
15	B468 1629	Front Cover Grip	1
16	B468 7807	Decal - Staple Exchange	1
17	G020 2630	Magnetic Catch	1
18	B468 1626	Stopper - Door Lower	1
19	B674 1681	Inner Cover	1
20	B468 1651	Left Front Cover	1
21	B468 1721	Lower Hinge	1
22	B468 3212	Shift Tray IBM	2
23	B468 3219	Slide Tray IBM	2
24	B468 3216	Auxiliary Turn Tray IBM	1
25	B468 7813	Decal - Tray Rise	1
26	B674 3215	Tray:Turn:Auxiliary	1
27	B674 6517	Tray:Auxiliary	1

Index No.	Part No.	Description	Q'ty Per Assembly
101	0451 3006N	Tapping Screw - M3x6	
102	0450 3008N	Tapping Screw - M3x8	
103	0451 3008N	Tapping Screw - M3x8	
104	0451 4008N	Tapping Screw - 4x8	
105	0451 4014N	Tapping Screw - M4x14	

2.PAPER TRANSFER (B674)

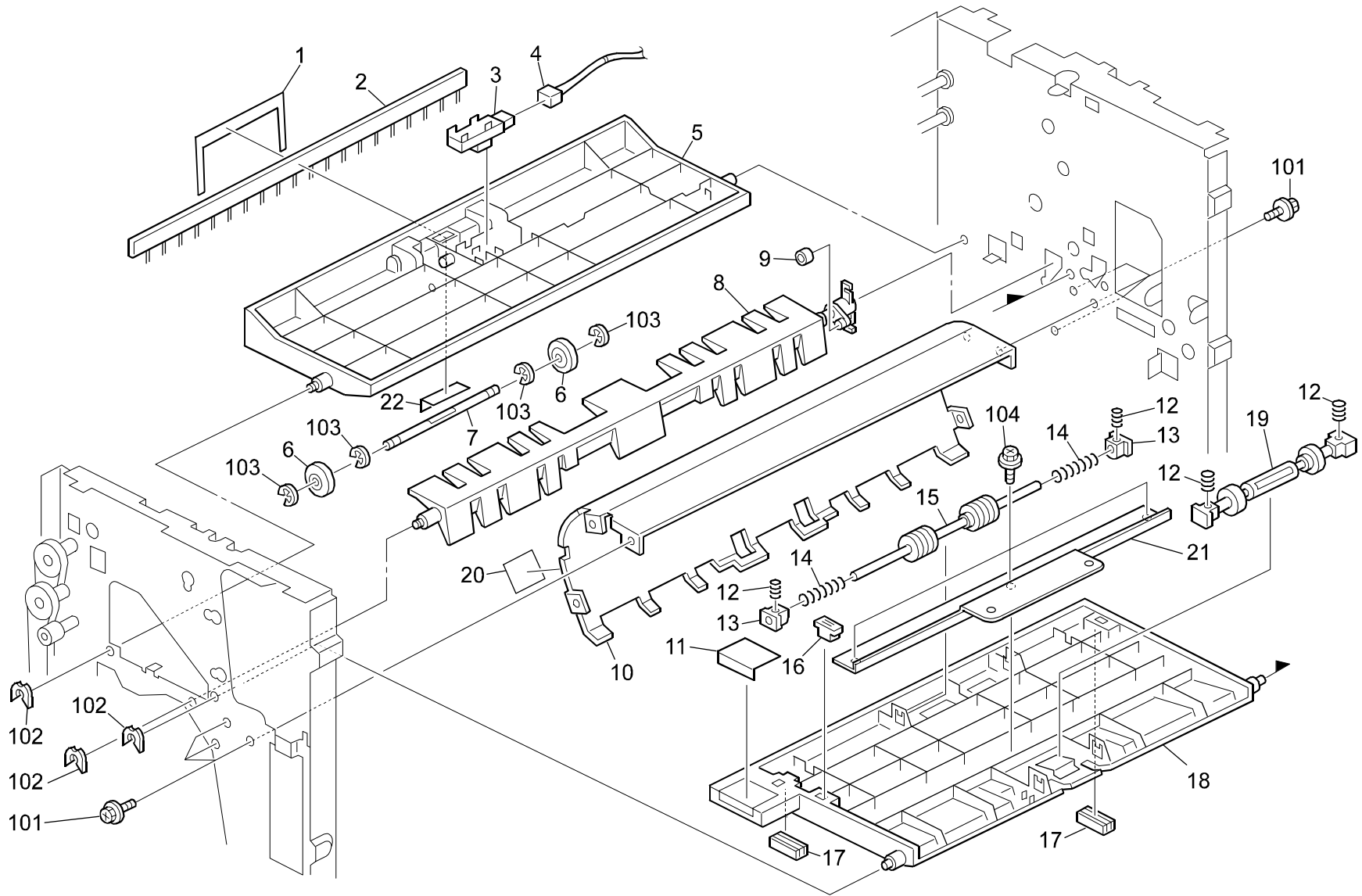


2.PAPER TRANSFER (B674)

Index No.	Part No.	Description	Q'ty Per Assembly
1	5053 0447	Bushing - 6mm	1
2	B468 1612	Angle - Upper Cover	1
3	B302 7702	Decal - R2	1
4	AG07 0014	Magnet Catch	2
5	A859 3425	Spring Plate	4
6	B468 2255	Timing Pulley - T20	1
7	A859 3420	Middle Driven Roller	4
8	B468 2153	Upper Guide Plate	1
9	AW01 0089	Photosensor - GP2A28C	1
10	A697 2150	Lower Entrance Guide	1
11	A697 2145	Entrance Sensor Bracket	1
12	B468 2196	Upper Guide Plate	1
13	B408 2191	Guide Plate - Connecting Lower	1
14	B352 2610	Shift Transport Roller	1
15	B706 1151	Bracket:Toner Hopper	1
16	B408 1413	Coupling Stay	1
17	A697 1128	Joint Lever	1
18	A697 1125	Stepped Screw - Lever	2
19	B545 2500	Guide Plate:Auxiliary:Punch:Ass'y	1
20	B352 7507	Punch Screw	1
21	B468 2122	Cushion ^ Gate Pawl	1

Index No.	Part No.	Description	Q'ty Per Assembly
101	0451 3006N	Tapping Screw - M3x6	
102	0313 0120N	Philips Pan Head Screw - M3x12	
103	1105 0511	Harness Clamp - LWS-0306ZC	
104	0805 0089	Retaining Ring - M4	
105	0802 5276	Tapping Screw With Washer - M3x6	
106	0720 0040E	Retaining Ring - M4	
107	0741 3506	Ball Bearing - 6x12x4 Mm	

3.SHIFT TRANSFER SECTION 1 (B674)

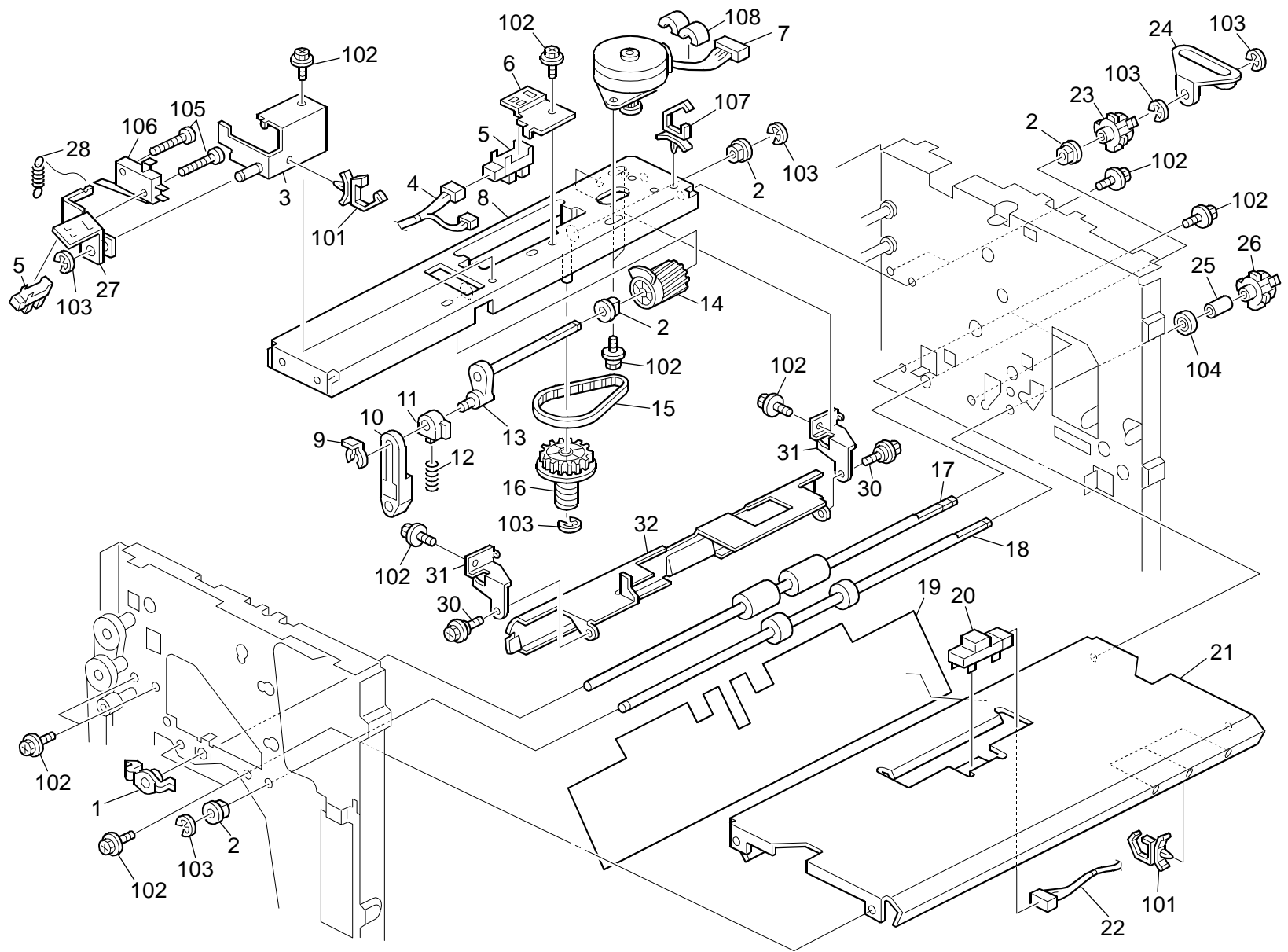


3.SHIFT TRANSFER SECTION 1 (B674)

Index No.	Part No.	Description	Q'ty Per Assembly
1	B468 2816	Exit Mylar	1
2	B468 2815	Discharge Brush	1
3	AW01 0057	Pegistration Sensor	1
4	B674 5422	Harness - Exit Sensor	1
5	B468 2811	Exit Guide Plate	1
6	B468 2832	Driven Exit Roller	2
7	B468 2831	Driven Shaft - Exit Roller	1
8	B468 2721	Lower Gate Pawl	1
9	A458 2251	Cushion - Bin Solenoid Lever	1
10	B468 2120	Lower Guide Plate	1
11	B302 7703	Decal - R3	1
12	AA06 3529	Pressure Spring - 14.5mm	4
13	B408 2175	Bushing - Roller Slide	2
14	B408 2174	Spring	2
15	B408 2173	Slide Roller	1
16	G012 1531	Magnet	1
17	AG07 0014	Magnet Catch	2
18	B468 2174	Guide Plate	1
19	AF02 2147	Driven Roller	1
20	B468 2117	Cushion - Gate Pawl	1
21	B468 2175	Supporting Plate	1
22	B468 2835	Mylar - Exit Roller Shaft	1

Index No.	Part No.	Description	Q'ty Per Assembly
101	0451 3006N	Tapping Screw - M3x6	
102	0805 0089	Retaining Ring - M4	
103	0720 0040E	Retaining Ring - M4	
104	0450 4008N	Tapping Screw - 4X8	

4.SHIFT TRANSFER SECTION 2 (B674)

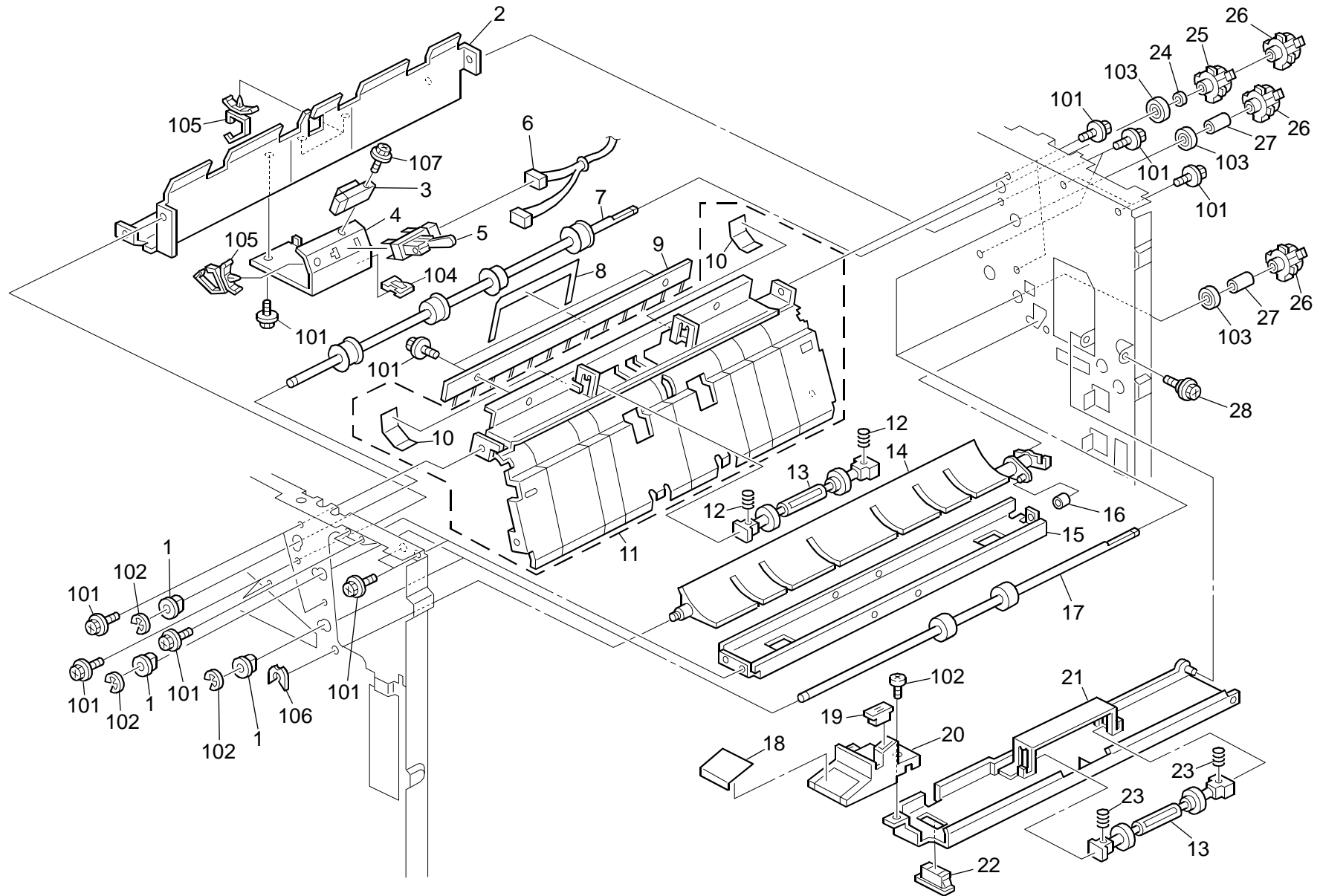


4.SHIFT TRANSFER SECTION 2 (B674)

Index No.	Part No.	Description	Q'ty Per Assembly
1	B408 2312	Bushing - Roller Slide	1
2	5053 0447	Bushing - 6mm	4
3	B468 2891	Switch Bracket	1
4	B674 5423	Harness - Guide Sensor	1
5	AW02 0086	Photointerruptor	3
6	B468 2871	Sensor Bracket	1
7	B468 5780	Stepper Motor	1
8	B468 2848	Guide Plate Stay	1
9	5447 2681	Snap Ring	1
10	B468 2881	Guide Plate Link	1
11	B468 2882	Link Bushing	1
12	B468 2883	Compression Spring - Guide Plate	1
13	B468 2862	Guide Plate Cam	1
14	B468 2865	Worm Wheel - Z20	1
15	AA04 3054	Timing Belt - 142 P2M4	1
16	B468 2861	Worm Gear - T40P2M	1
17	B408 2311	Slide Roller	1
18	B468 2231	Transport Roller	1
19	B468 2128	Film - Exit Guide	1
20	AW01 0057	Pegistration Sensor	1
21	B468 2127	Guide Plate	1
22	B674 5422	Harness - Exit Sensor	1
23	AB03 0374	Timing Pulley - 20Z	1
24	B468 2415	Arm - Roller Slide	1
25	A697 1605	Spacer - 6x10x15.2mm	1
26	B468 2255	Timing Pulley - T20	1
27	5875 2088	Shoulder Screw - M4	1
28	B674 2991	Micro Switch Bracket	1
29	B468 2896	Tension Spring - 5N	1
30	A697 1125	Stepped Screw - Lever	2
31	B674 2993	Micro Switch Contact Point Bracket	2
32	B674 2992	Guide Plat Micro Switch Bracket	1

Index No.	Part No.	Description	Q'ty Per Assembly
101	1105 0511	Harness Clamp - LWS-0306ZC	
102	0451 3006N	Tapping Screw - M3x6	
103	0720 0040E	Retaining Ring - M4	
104	0741 3506	Ball Bearing - 6x12x4 mm	
105	0313 0120N	Philips Pan Head Screw - M3x12	
106	1204 2233	Microswitch - AH715254N	
107	1105 0487	Clamp	
109	1607 0623	Ferrite Core - TFC-16-8-13	

5.SHIFT TRANSFER SECTION 3 (B674)

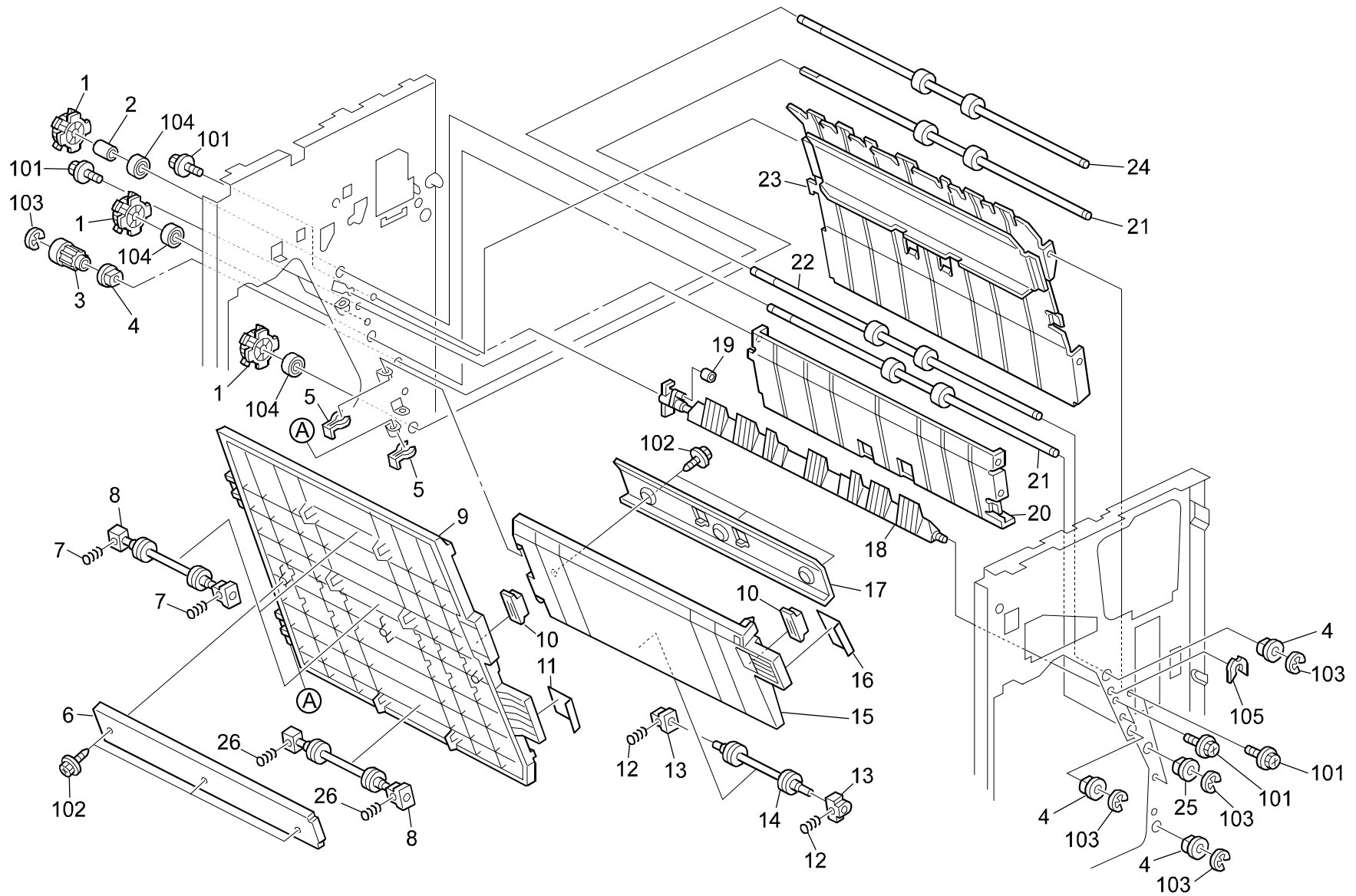


5.SHIFT TRANSFER SECTION 3 (B674)

Index No.	Part No.	Description	Q'ty Per Assembly
1	5053 0447	Bushing - 6mm	3
2	B674 2915	Proof Tray Exit Guide Plate	1
3	AW01 0091	Photo Reflection Sensor	1
4	B674 2911	Surface Of Paper Sensor Bracket	1
5	AW02 0049	Photointerruptor - OS - 580213-703	1
6	B674 5495	Harness - Paper Exit Sub-unit	1
7	B468 2241	Exit Roller - Proof Tray	1
8	B302 2216	Exit Guide - Upper Exit Guide	1
9	AA12 0099	Antistatic Brush - 320mm	1
10	B468 2121	Film - Proof Tray	2
11	B468 2112	Upper Guide Plate	1
12	A697 2187	Pressure Spring - 14.1mm	2
13	AF02 2147	Driven Roller	2
14	B468 2711	Gate Pawl	1
15	B408 1413	Coupling Stay	2
16	A458 2251	Cushion - Bin Solenoid Lever	1
17	B468 2231	Transport Roller	2
18	B302 7701	Decal - R1	1
19	G012 1531	Magnet	1
20	B468 2145	Knob - Release Lever	1
21	A697 2140	Upper Entrance Guide	1
22	A680 1181	Magnetic Catch	1
23	A697 2144	Pressure Spring	2
24	A697 1606	Spacer - 6x12x2.7mm	1
25	AB03 0374	Timing Pulley - 20Z	1
26	B468 2255	Timing Pulley - T20	3
27	A697 1605	Spacer - 6x10x15.2mm	2
28	A697 1125	Stepped Screw - Lever	1

Index No.	Part No.	Description	Q'ty Per Assembly
101	0451 3006N	Tapping Screw - M3x6	
102	0313 0040N	Philips Pan Head Screw - M3x4	
103	0741 3506	Ball Bearing - 6x12x4 Mm	
104	1105 0328	Harness Clamp - ES-0505	
105	1105 0511	Harness Clamp - LWS-0306ZC	
106	0805 0089	Retaining Ring - M4	
107	0451 3014N	Tapping Screw - M3-14	

6.STAPLE TRANSFER SECTION 1 (B674)

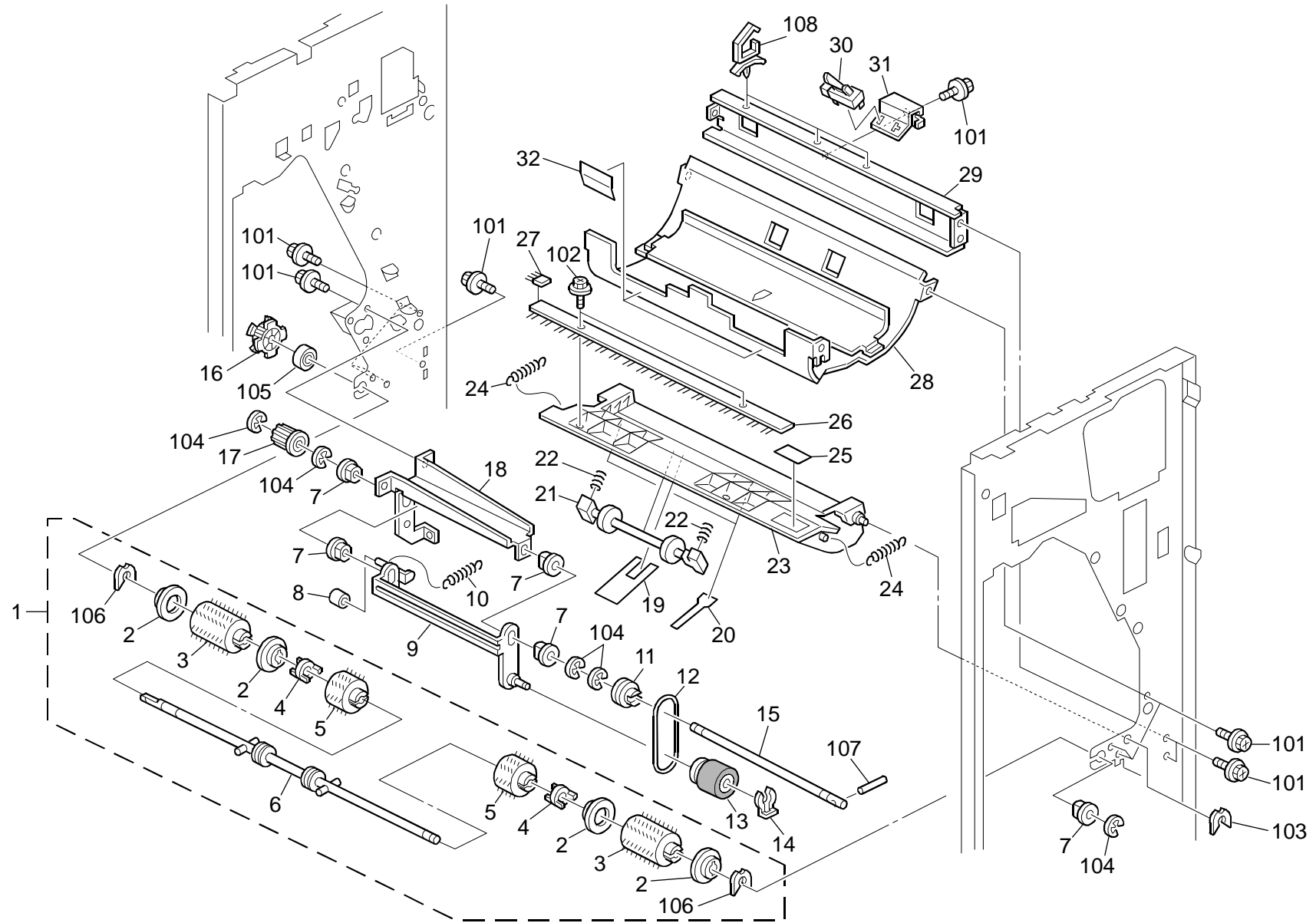


6.STAPLE TRANSFER SECTION 1 (B674)

Index No.	Part No.	Description	Q'ty Per Assembly
1	B468 2255	Timing Pulley - T20	3
2	A697 1605	Spacer - 6x10x15.2mm	1
3	B312 1521	Timing Pulley - 20T	1
4	5053 0447	Bushing - 6mm	4
5	C101 2360	Snap Ring	2
6	A612 2435	Support Plate	1
7	AA06 3529	Pressure Spring - 14.5mm	4
8	AF02 2147	Driven Roller	3
9	B468 2162	Guide Plate	1
10	AG07 1010	Magnet Catch	2
11	A697 5500	Decal - Replacement R4	1
12	B312 2174	Pressure Spring - 12mm	2
13	AA08 0242	Bushing - 4mm	2
14	B312 2172	Driven Roller	1
15	B312 2171	Middle Guide - Vertical Transport	1
16	B312 5700	Decal - R5	1
17	B312 2173	Support Plate	1
18	B312 2100	Pre-stack Gate	1
19	A458 2251	Cushion - Bin Solenoid Lever	1
20	B312 2166	Vertical Guide	1
21	B352 2610	Shift Transport Roller	2
22	B468 2231	Transport Roller	1
23	B468 2118	Lower Guide Plate	1
24	B312 2176	Transport Roller	1
25	AA08 0238	Bushing - M6	1
26	A697 2187	Pressure Spring - 14.1MM	2

Index No.	Part No.	Description	Q'ty Per Assembly
101	0451 3006N	Tapping Screw - M3x6	
102	0450 3008N	Tapping Screw - M3x8	
103	0720 0040E	Retaining Ring - M4	
104	0741 3506	Ball Bearing - 6x12x4 Mm	
105	0805 0089	Retaining Ring - M4	

7.STAPLE TRANSFER SECTION 2 (B674)

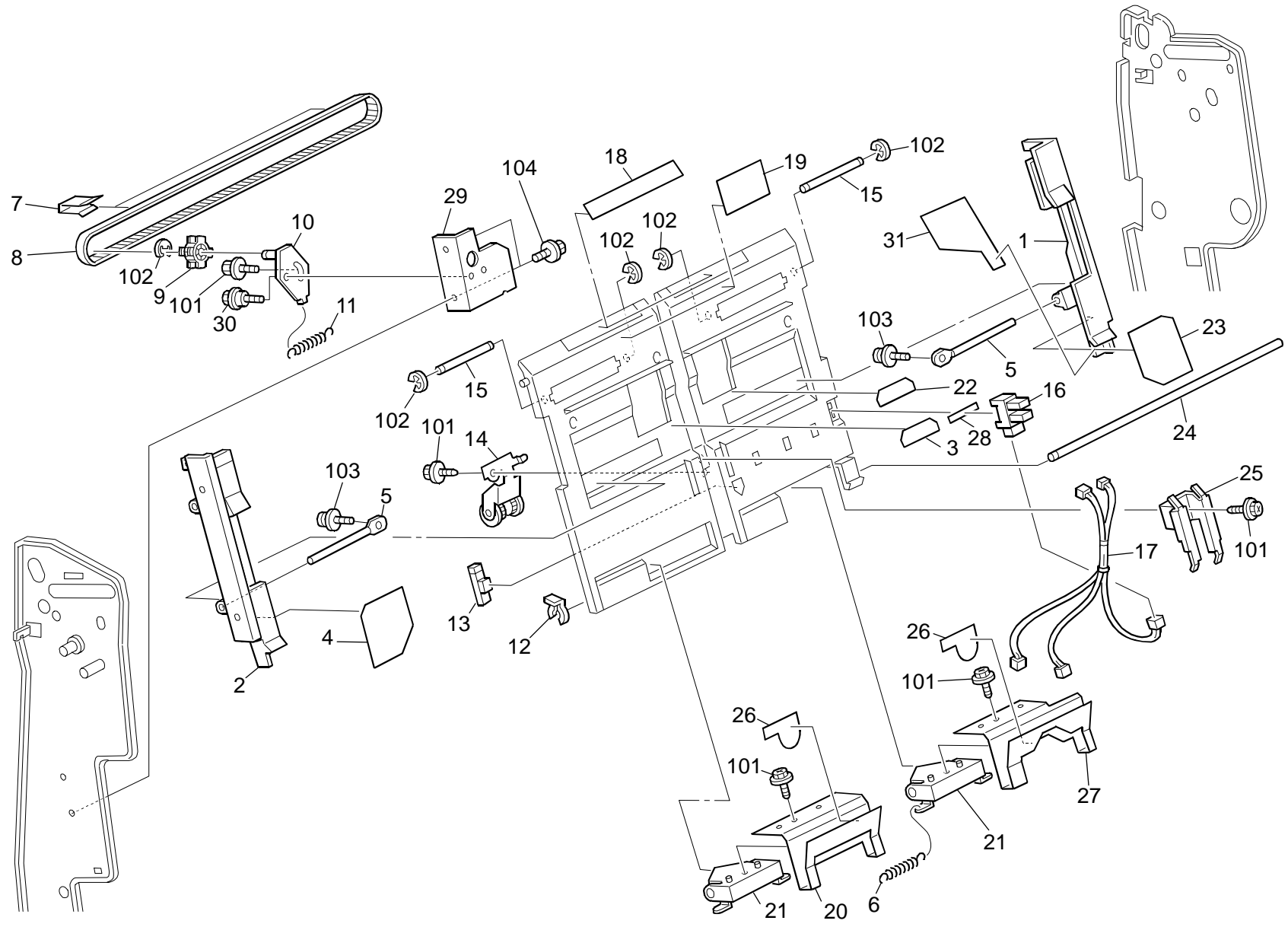


7.STAPLE TRANSFER SECTION 2 (B674)

Index No.	Part No.	Description	Q'ty Per Assembly
1	B468 2221	Lower Exhaust Roller	1
2	B468 2224	Flange - Brush Roller	4
3	B302 2413	Brush Roller	2
4	A697 2132	Joint - Brush Roller	2
5	A697 2138	Brush Roller	2
6	B468 2222	Exit Roller	1
7	5053 0447	Bushing - 6mm	5
8	AA16 1099	Lever Cushion	1
9	A608 2813	Positioning Roller Arm	1
10	B468 2515	Spring - Gather Roller	1
11	5919 2127	Positioning Roller Pulley	1
12	5919 2132	Positioning Roller Belt	1
13	B478 2116	Reverse Roller - Stapler Tray	1
14	5447 2681	Snap Ring	1
15	A608 2816	Positioning Roller Shaft	1
16	B468 2255	Timing Pulley - T20	1
17	A697 2260	Pulley - 17T	1
18	A300 3851	Positioning Roller Bracket	1
19	B468 2189	Guide:Exit:Stapler Tray:Middle	1
20	B468 2188	Both End Guide - Stapler Tray	2
21	AF02 2147	Driven Roller	1
22	AA06 3529	Pressure Spring - 14.5mm	2
23	B302 2451	Lower Guide Plate	1
24	B302 2459	Spring - 5x39mm	2
25	B302 7706	Decal - R6	1
26	AA12 0099	Antistatic Brush - 320mm	1
27	A697 2131	Antistatic Brush	1
28	B468 2131	Stapler Guide Plate	1
29	B408 1413	Coupling Stay	1
30	AW02 0049	Photointerruptor - OS - 580213-703	1
31	B468 1332	Exit Sensor Bracket	1
32	B468 2134	Stapler Guide	2

Index No.	Part No.	Description	Q'ty Per Assembly
101	0451 3006N	Tapping Screw - M3x6	
102	0450 3008N	Tapping Screw - M3x8	
103	0805 0089	Retaining Ring - M4	
104	0720 0040E	Retaining Ring - M4	
105	0741 3506	Ball Bearing - 6x12x4 Mm	
106	0805 0088	Retaining Ring - M6	
107	0623 0120E	Spring Pin - M3x12	
108	1105 0511	Harness Clamp - LWS-0306ZC	

8.STAPLE TRAY 1 (B674)

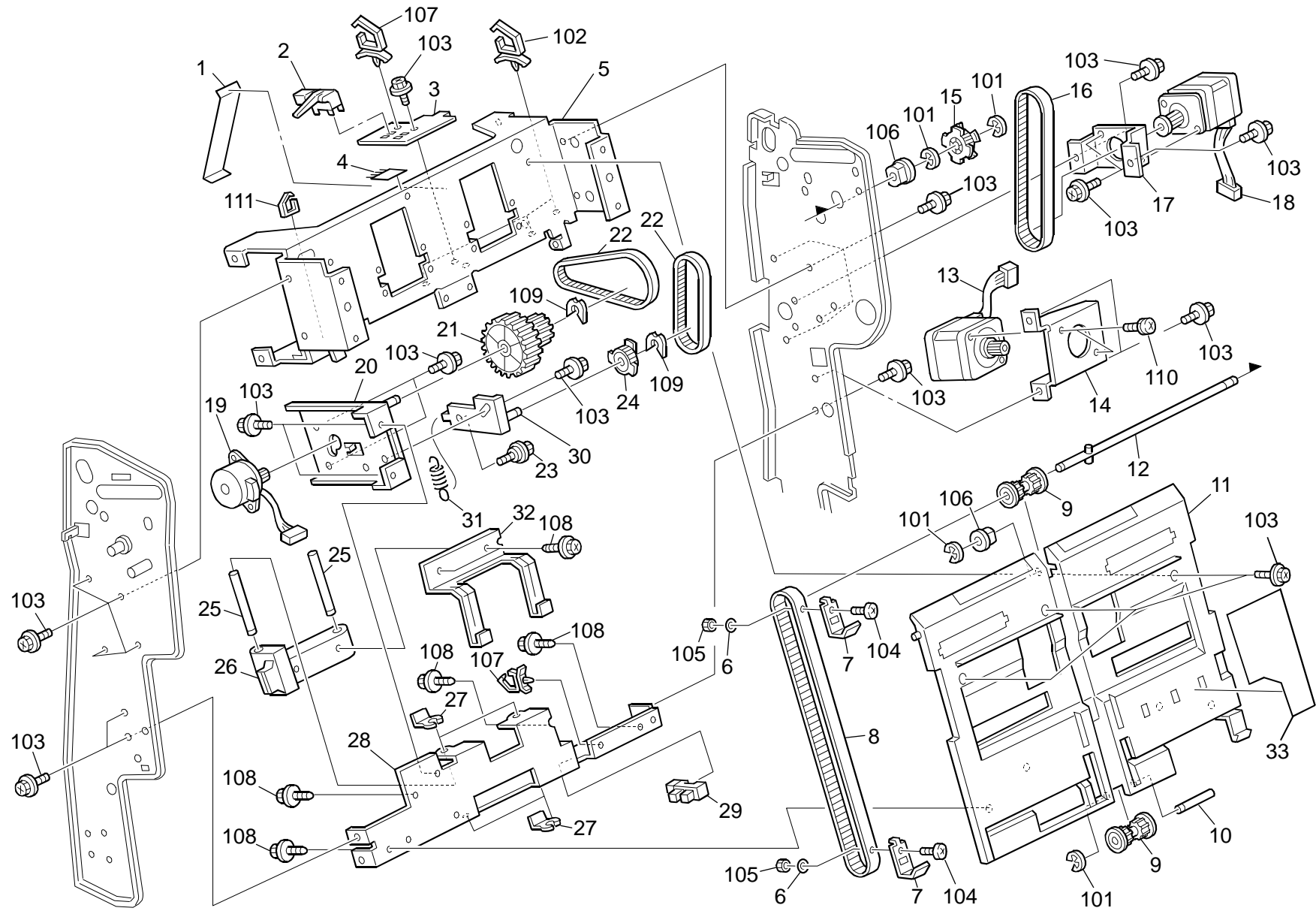


8.STAPLE TRAY 1 (B674)

Index No.	Part No.	Description	Q'ty Per Assembly
1	B468 4311	Jogger Fence:Rear:Ass'y	1
2	B468 4321	Jogger Fence:Front:Ass'y	1
3	B468 4119	Front Myler - Stapler	1
4	B468 4332	Front Myler	1
5	B468 4325	Long Shaft	2
6	B700 4107	Spring:Return:Standard Fence	1
7	B468 4381	Stopper - Timing Belt	2
8	B468 4371	Timing Belt - 900P2M4	1
9	A697 4170	Pulley - 32T	1
10	B468 4362	Jogger Fence Belt Tensioner Ass'y	1
11	B468 4333	Tension Spring - 10.6N	1
12	5447 2681	Snap Ring	1
13	AW01 0057	Pegistration Sensor	1
14	B352 4261	Tightener - Exit Belt	1
15	B468 4326	Short Shaft	2
16	AW02 0086	Photointerruptor	1
17	B674 5443	Harness - Stapler Unit Sensor	1
18	B468 4115	Guide Film (B468)	2
19	B468 4118	Upper Myler - Stapler	2
20	B674 4152	Stapler Trailing Standard Fence	1
21	B468 4154	Fence Slider	2
22	B468 4116	Middle Stapler Film	1
23	B468 4331	Rear Myler	1
24	B468 4158	Guide Rod	1
25	B674 4149	Stapler Tray Bracket	1
26	B674 4157	Film:Guide:Standard Fence:Stapl	2
27	B674 4156	Stapler Trailing Standard Fence	1
28	B468 4191	Spacer:Home Position Sensor:Jog	1
29	B468 4366	Jogger Fence Belt Tensioner Bracket	1
30	A697 1125	Stepped Screw - Lever	1
31	B674 4340	Film - Lower Jogger Fence Guide	1

Index No.	Part No.	Description	Q'ty Per Assembly
101	0450 3008N	Tapping Screw - M3x8	
102	0720 0040E	Retaining Ring - M4	
103	0804 6075	Hexagonal Bolt - M3x8	
104	0451 3006N	Tapping Screw - M3x6	

9.STAPLE TRAY 2 (B674)

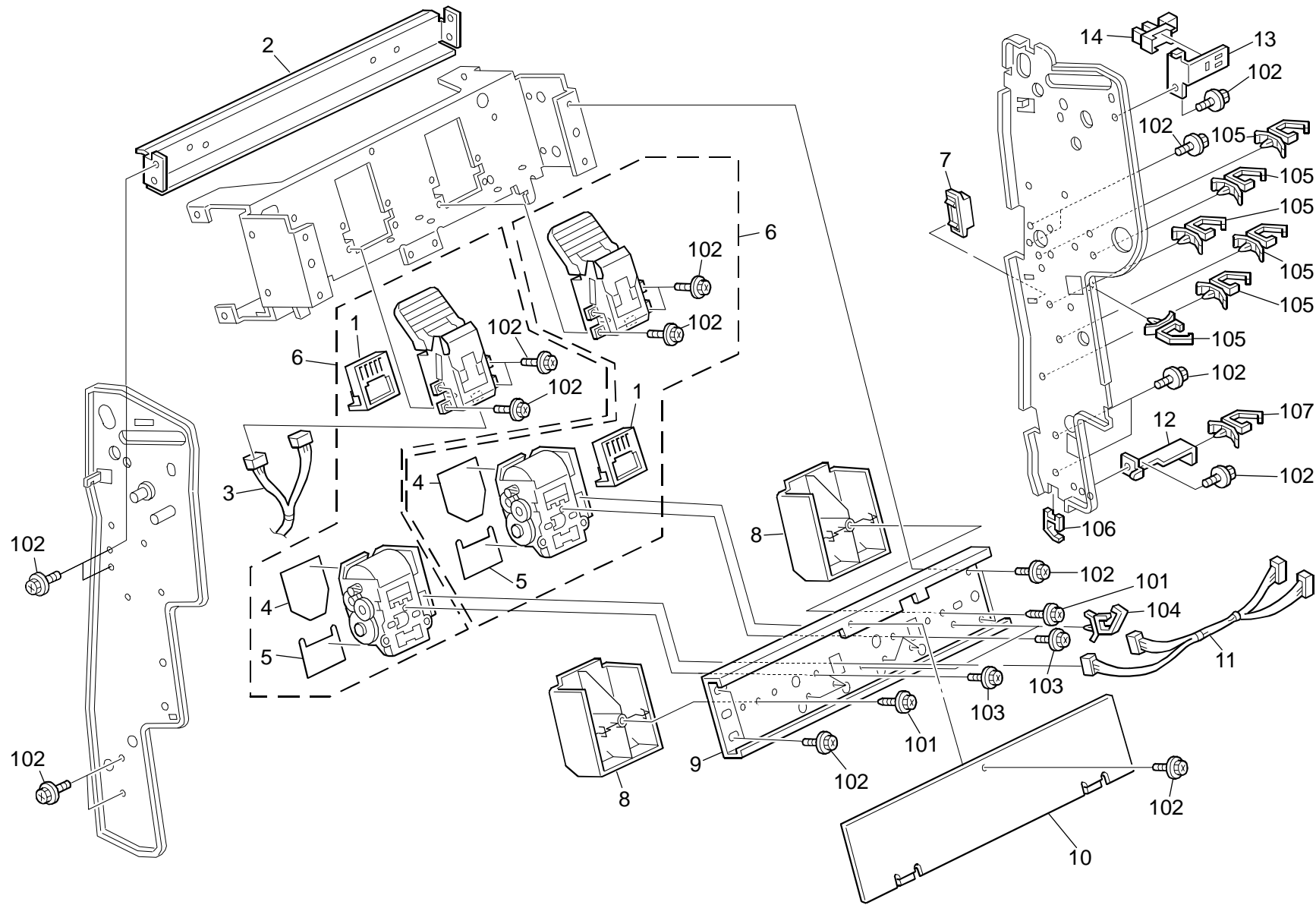


9.STAPLE TRAY 2 (B674)

Index No.	Part No.	Description	Q'ty Per Assembly
1	B674 4146	Guide:Film:Exit Belt	1
2	G020 4429	Exit Sensor	1
3	B468 4173	Bracket:Sensor:Exit Belt	1
4	A697 2131	Antistatic Brush	1
5	B674 4122	Stapler Upper Stay Ass'y	1
6	A353 2763	Washer - M5	2
7	B468 4147	Exit Belt Pawl	2
8	B468 4142	Exit Belt	1
9	A666 3180	Timing Pulley - Z32	2
10	B468 4117	Shaft - M6x24	1
11	B674 4111	Stapler Tray	1
12	B674 4161	Shaft - Exit Belt Drive Ass'y	1
13	B312 4140	Stepping Motor - 8.0W	1
14	B468 4341	Motor Bracket	1
15	A666 3270	Pulley - Z40	1
16	B468 4816	Timing Belt - 310P2M4	1
17	B468 4811	Motor Bracket	1
18	B468 5760	Stepper Motor	1
19	B468 5780	Stepper Motor - DC 20.4w	1
20	B674 4331	Bracket:Motor:Standard Fence:Mo	1
21	B674 4330	Pulley - 32/53T	1
22	B674 4339	Timing Belt - B40S2M192	1
23	A697 1125	Stepped Screw - Lever	1
24	B674 4334	Pulley - 20T	1
25	B674 4321	Shaft - Standard Fence Move Guide	1
26	B674 4324	Standard Fence Moveable Holder	1
27	5447 2681	Snap Ring	2
28	B674 4320	Standard Fence Moveable Base	1
29	AW02 0086	Photointerruptor	1
30	B674 4335	Standard Fence Belt Tensioner	1
31	B674 4338	Standard Fence Tension Spring	1
32	B674 4323	Standard Fence Moveable	1
33	B674 4340	Film - Lower Jogger Fence Guide	1

Index No.	Part No.	Description	Q'ty Per Assembly
101	0720 0040E	Retaining Ring - M4	
102	1105 0487	Harness Clamp	
103	0451 3006N	Tapping Screw - M3x6	
104	0242 0035N	Pan Head Screw - M2x3.5	
105	0710 0020E	Hexagonal Nut - M2	
106	0805 3385	Bushing - 6mm	
107	1105 0511	Harness Clamp - LWS-0306ZC	
108	0950 3005N	Philips Screw With Spring Washer	
109	0805 0089	Retaining Ring - M4	
110	0950 3005N	Philips Screw With Spring Washer -	
111	1105 0522	Edge Saddle - Les0510	

10.STAPLE TRAY 3 (B674)

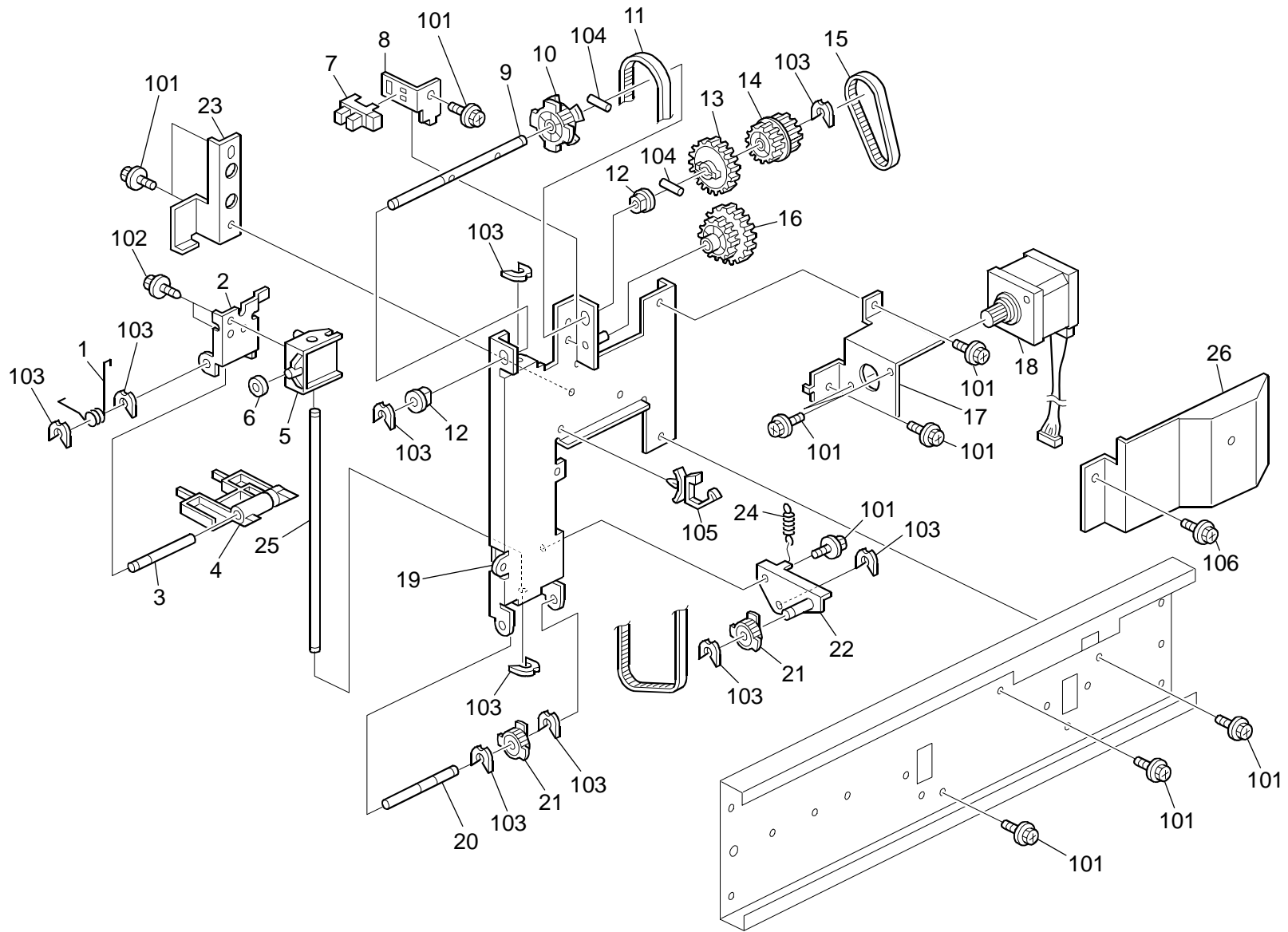


10.STAPLE TRAY 3 (B674)

Index No.	Part No.	Description	Q'ty Per Assembly
1	B468 6411	Adjusting Pin - Booklet Stapler	1
2	B674 4231	Stay:Stapler:Slide Rail	1
3	B674 5442	Harness - Stapler Cartridge	1
4	B468 4136	Middle Myler	2
5	B468 4126	Entrance Myler	2
6	B468 6200	Stapler	1
7	AG07 1010	Magnet Catch	1
8	B674 4128	Stapler Guide	2
9	B674 4127	Small Stapler Upper Stay	1
10	B674 4129	Cover:Stay:Stapler:Upper	1
11	B674 5441	Harness - Staple Motor	1
12	A300 3151	Support Bracket	1
13	B468 4781	Sensor Bracket	1
14	AW02 0086	Photointerruptor	1

Index No.	Part No.	Description	Q'ty Per Assembly
101	0450 3008N	Tapping Screw - M3x8	
102	0451 3006N	Tapping Screw - M3x6	
103	0804 6075	Hexagonal Bolt - M3x8	
104	1105 0487	Harness Clamp	
105	1105 0488	Harness Clamp	
106	1105 0514	Edge Saddle - EDS-0607I	
107	1105 0489	Harness Clamp - LWS 1316	

11.STAPLE TRAY 4 (B674)

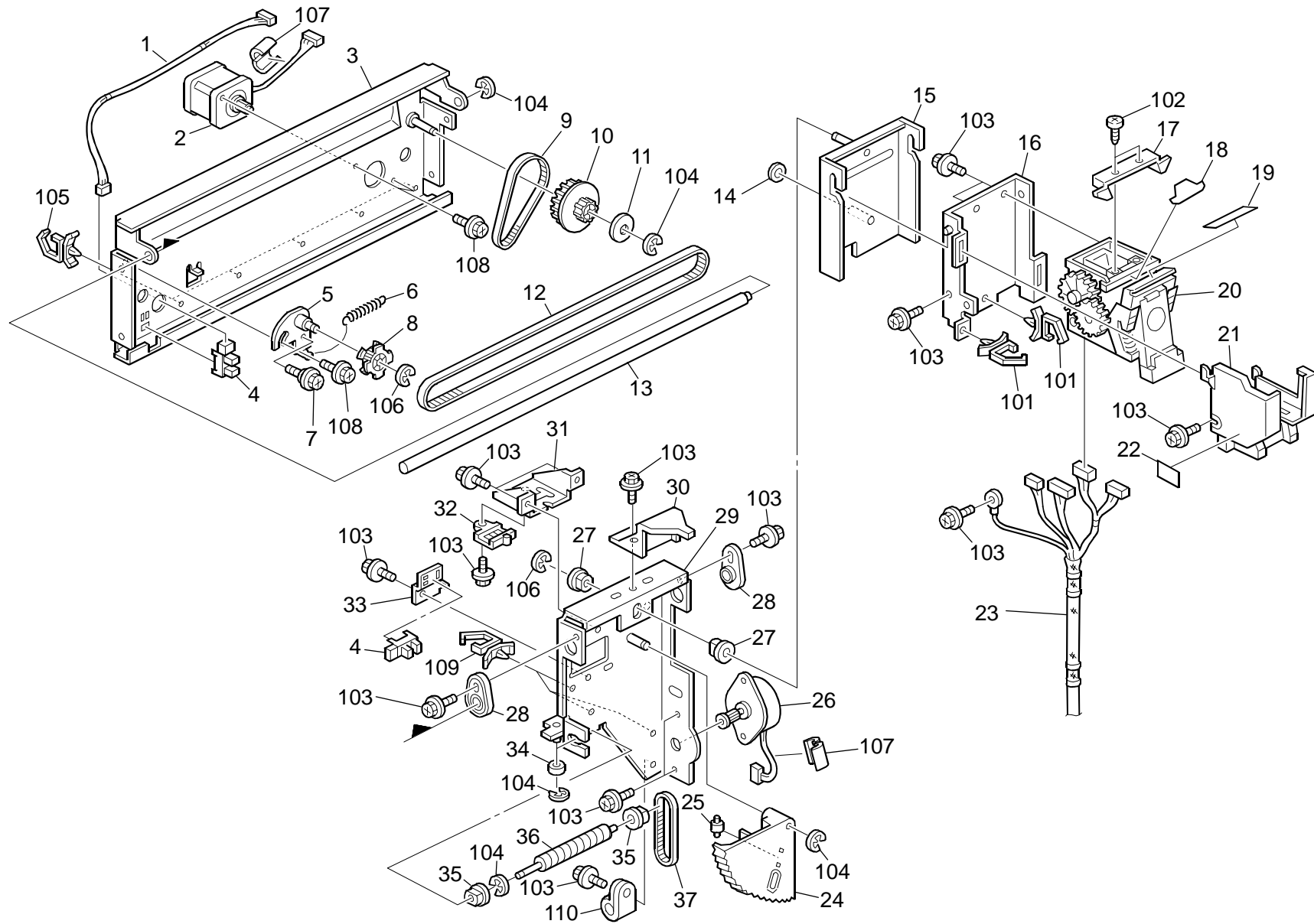


11.STAPLE TRAY 4 (B674)

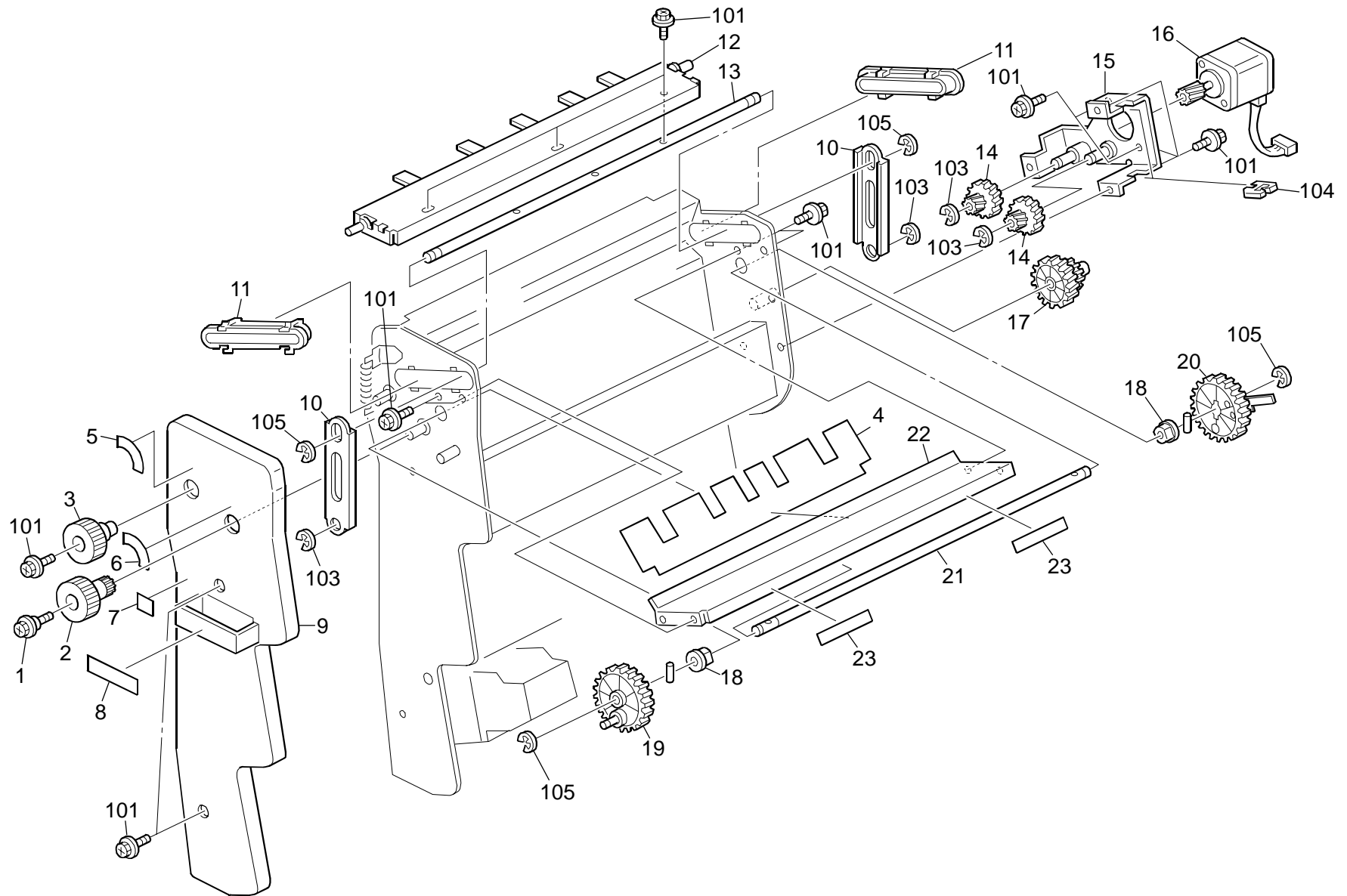
Index No.	Part No.	Description	Q'ty Per Assembly
1	B674 4618	Pawl Stopper Torsion Spring	1
2	B674 4617	Pawl Stopper Bracket	1
3	B674 4615	Shaft - Pawl Stopper	1
4	B674 4616	Pawl Stopper	1
5	B674 4613	Pawl Stopper Holder	1
6	B674 4614	Pawl Stopper Guide Roller	1
7	AW02 0086	Photointerruptor	1
8	B674 4525	Pawl Stopper Sensor Bracket	1
9	B674 4523	Shaft - Upper Transport Pawl Pulley	1
10	B674 4527	Pulley - 48T	1
11	B674 4521	Timing Belt - B40S2M500	1
12	5053 0447	Bushing - 6mm	1
13	B674 4531	Gear - 30Z	1
14	B674 4529	Pulley - 20/36T	1
15	B674 4520	Timing Belt - B40S2M178	1
16	B674 4530	Gear - 20/30Z	1
17	B674 4619	Pawl Stopper Motor Bracket	1
18	B312 4140	Stepping Motor - DC 16.1w	1
19	B674 4511	Base:Pawl:Stopper:Ass'y	1
20	B674 4540	Shaft:Pulley:Pawl:Transport:Low	1
21	B674 4528	Pulley - 15T	1
22	B674 4620	Pawl Stopper Belt Tensioner Ass'y	1
23	B674 4526	Pawl Stopper Open And Close Bracket	1
24	B674 4536	Tension Spring	1
25	B674 4522	Pawl Stopper Guide Shaft	1
26	B674 4551	Inner Cover:Pawl:Stopper	1

Index No.	Part No.	Description	Q'ty Per Assembly
101	0451 3006N	Tapping Screw - M3x6	
102	0450 3008N	Tapping Screw - M3x8	
103	0805 0089	Retaining Ring - M4	
104	0632 0100G	Pin - 2x10mm	
105	1105 0511	Harness Clamp - LWS-0306ZC	
106	0453 3006N	Tapping Screw - M3x6	

12.STAPLE TRAY 5 (B674)



13.PAPER CRIMP SECTION 1 (B674)

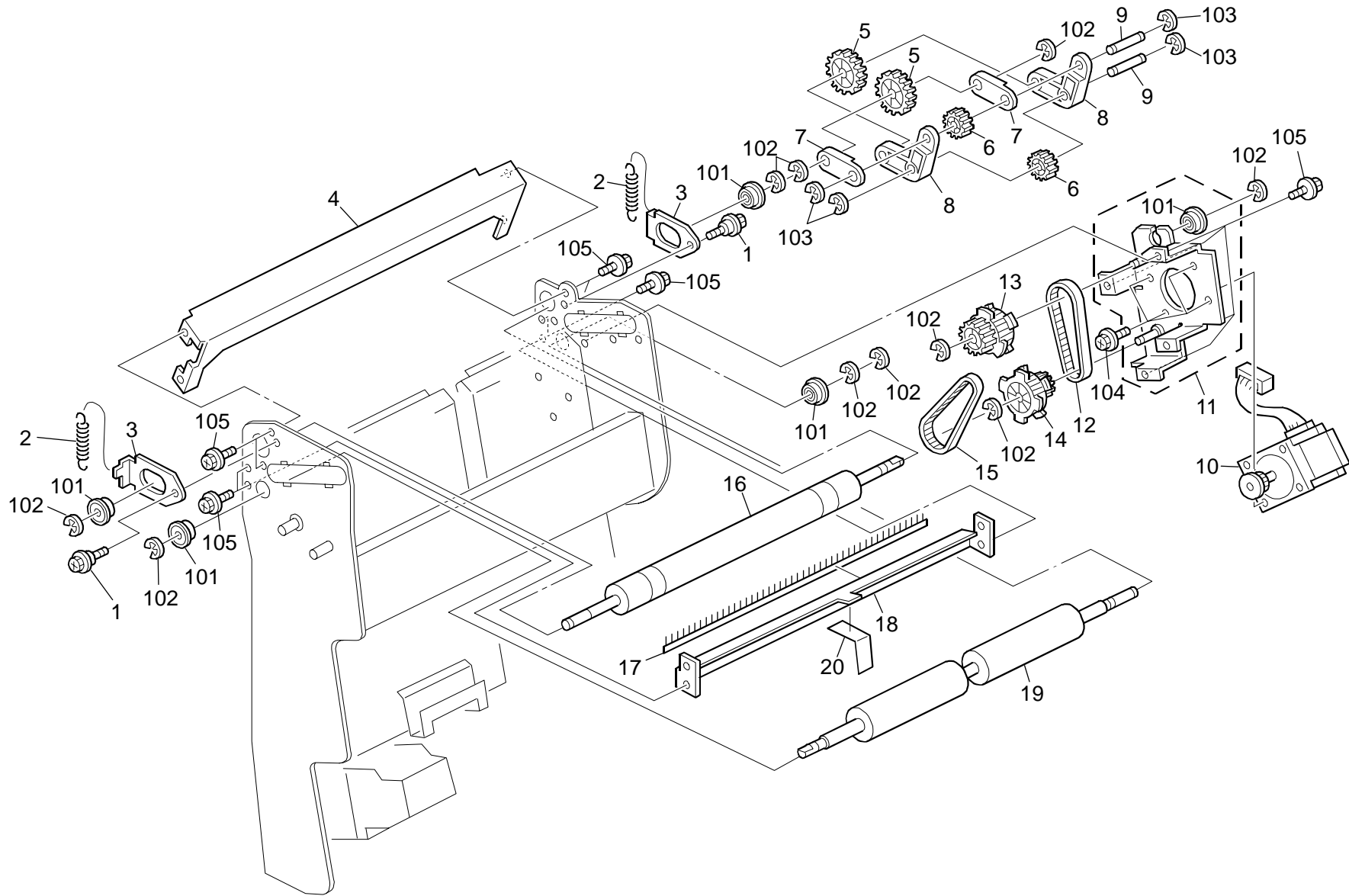


13.PAPER CRIMP SECTION 1 (B674)

Index No.	Part No.	Description	Q'ty Per Assembly
1	A697 1125	Stepped Screw - Lever	1
2	B468 4785	Knob	1
3	B468 4671	Knob	1
4	B468 4792	Myler Guide	1
5	B468 7802	Decal - R8	1
6	B468 7801	Decal - R7	1
7	B468 7804	Decal - S2	1
8	B468 7803	Decal - R9	1
9	B468 4911	Front Inner Cover	1
10	B468 4761	Drive Link	2
11	B468 4771	Slide Guide	2
12	B468 4718	Bracket	1
13	B468 4715	Guide Shaft	1
14	B468 4757	Gear - Z14	2
15	B468 4751	Stepper Motor Bracket	1
16	B468 5770	Stepper Motor	1
17	B468 4745	Middle Gear	1
18	5053 0223	Bushing - 8mm	2
19	B468 4741	Gear:Paper Crimp:Drive:Front	1
20	B468 4731	Gear:Paper Crimp:Drive:Rear	1
21	B468 4744	Drive Shaft	1
22	B674 4791	Paper Crimp Guide Plate	1
23	B468 7814	Decal:Guide Plate:Open And Clos	2

Index No.	Part No.	Description	Q'ty Per Assembly
101	0451 3006N	Tapping Screw - M3x6	
102	0450 3008N	Tapping Screw - M3x8	
103	0720 0040E	Retaining Ring - M4	
104	1105 0328	Harness Clamp - ES-0505	
105	0720 0060E	Retaining Ring - M6	

14.PAPER CRIMP SECTION 2 (B674)

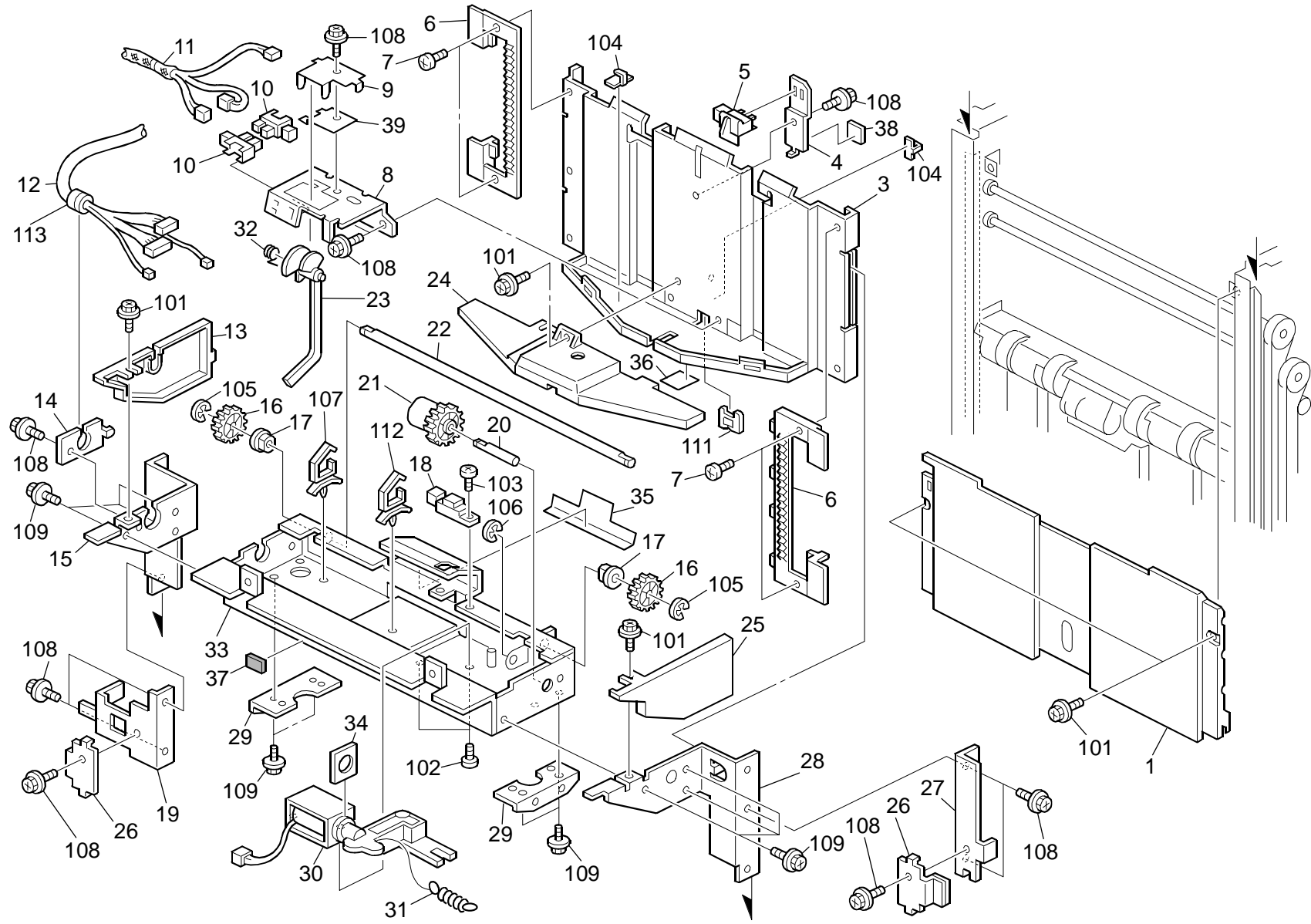


14.PAPER CRIMP SECTION 2 (B674)

Index No.	Part No.	Description	Q'ty Per Assembly
1	A697 1125	Stepped Screw - Lever	2
2	B468 4691	Tension Spring	2
3	B468 4617	Roller Bracket	2
4	B468 4666	Roller Guide Plate	1
5	B468 4628	Drive Gear	2
6	B468 4627	Gear - 18Z	2
7	B468 4622	Short Roller Arm	2
8	B468 4625	Arm:Gear:Roller	2
9	B468 4629	Roller Shaft	2
10	B468 4640	Stepper Motor	1
11	B674 4635	Paper Crimp Drive Bracket Ass'y	1
12	B468 4654	Timing Belt - 255P5M6	1
13	B468 4649	Pulley - 20T/20Z	1
14	B468 4659	Idler Pulley - T1226P5M	1
15	B468 4653	Timing Belt - 215P5M6	1
16	B468 4615	Drive Roller	1
17	A681 2416	Antistatic Brush	1
18	B468 4662	Guide Plate	1
19	B468 4611	Drive Roller	1
20	B468 4663	Guide Film	1

Index No.	Part No.	Description	Q'ty Per Assembly
101	0741 3808	Ball Bearing - 8x16x5mm	
102	0720 0060E	Retaining Ring - M6	
103	0720 0040E	Retaining Ring - M4	
104	0451 4008N	Philips Tapping Screw - M4x8	
105	0451 3006N	Tapping Screw - M3x6	

15. UPPER PAPER EXIT (B674)

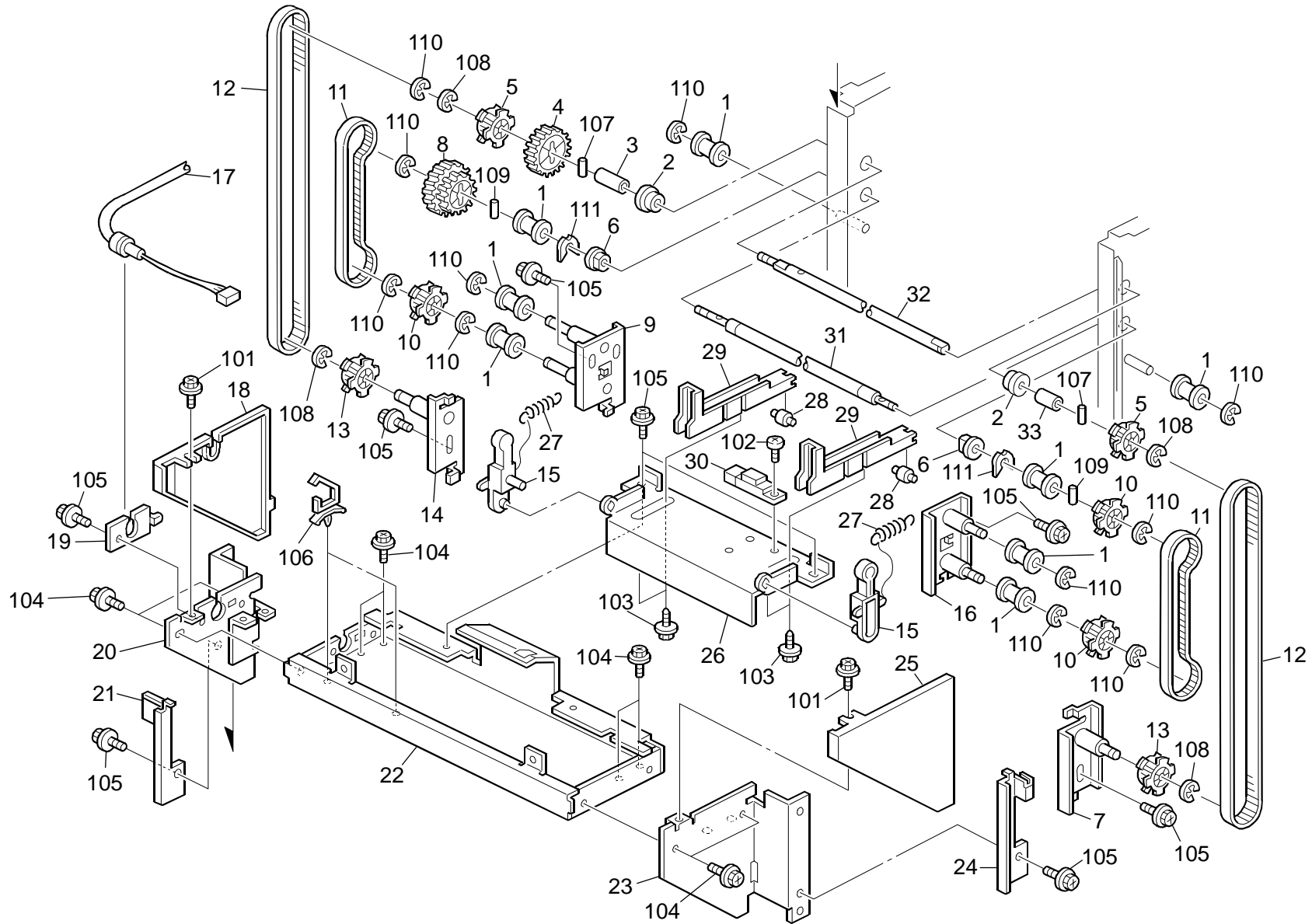


15.UPPER PAPER EXIT (B674)

Index No.	Part No.	Description	Q'ty Per Assembly
1	B674 1649	Left Upper Cover	1
3	B674 3161	Upper End Fence Ass'y	1
4	B468 3116	Upper Bracket - Paper Height Sensor	1
5	AW02 0075	Photointerruptor	1
6	B468 3168	Rack	2
7	5875 2088	Shoulder Screw - M4	4
8	B674 3149	Bracket:Surface Of Paper Sensor	1
9	B674 3152	Surface Of Paper Sensor Lever Stay	1
10	AW02 0086	Photointerruptor	2
11	B674 5475	Harness - Tray	1
12	B468 5570	Upper Tray Harness	1
13	B674 1666	Upper Rear Shift Tray Cover	1
14	B468 3181	Stay	1
15	B674 3125	Upper Tray Rear Holder Ass'y	1
16	B468 3138	Gear - End Fence	2
17	5053 0447	Bushing - 6mm	2
18	AW01 0088	Sensor GP2A200LCS - Assembly	1
19	B468 3131	Rear Stay - Timing Belt	1
20	B468 3142	Shaft - Spring Clutch	1
21	B468 3196	Spring Clutch - End Fence	1
22	B468 3137	Shaft - End Fence	1
23	B674 3151	Surface Of Paper Sensor Lever	1
24	B674 3175	Surface Of Paper Sensor Cover	1
25	B674 1661	Upper Front Shift Tray Cover	1
26	B468 3135	Stopper - Timing Belt	2
27	B468 3132	Front Stay - Timing Belt	1
28	B674 3121	Upper Tray Front Holder Ass'y	1
29	B468 3147	Support Plate	2
30	B468 W015	Release Lever Solenoid Ass'y	1
31	B468 3145	Tension Spring	1
32	B468 3143	Cushion - Solenoid Spring Clutch	1
33	B674 3133	Upper Tray Holder Stay Ass'y	1
34	B674 3153	Feeler Torsion Spring	1
35	B468 3148	Upper Plate	1
36	G518 1237	Sheet - Shielding Plate	1

Index No.	Part No.	Description	Q'ty Per Assembly
37	B674 3138	Cushion:Lever:Paper Sensor	1
38	B674 3117	Guide:Feeler	1
39	B674 3154	Plate:Stay:Lever:Surface Of Paper Sensor	1
101	0451 3008N	Tapping Screw - M3x8	
102	0313 0040N	Philips Pan Head Screw - M3x4	
103	0313 0060N	Philips Pan Head Screw - M3x6	
104	1105 0109	Cord Keep	
105	0720 0040E	Retaining Ring - M4	
106	0720 0060E	Retaining Ring - M6	
107	1105 0487	Harness Clamp	
108	0451 3006N	Tapping Screw - M3x6	
109	0802 5276	Tapping Screw With Washer - M3x6	
110	1105 0511	Harness Clamp - LWS-0306ZC	
111	1105 0328	Harness Clamp - ES-0505	
112	1105 0516	Clamp	

16.LOWER PAPER EXIT 1 (B674)

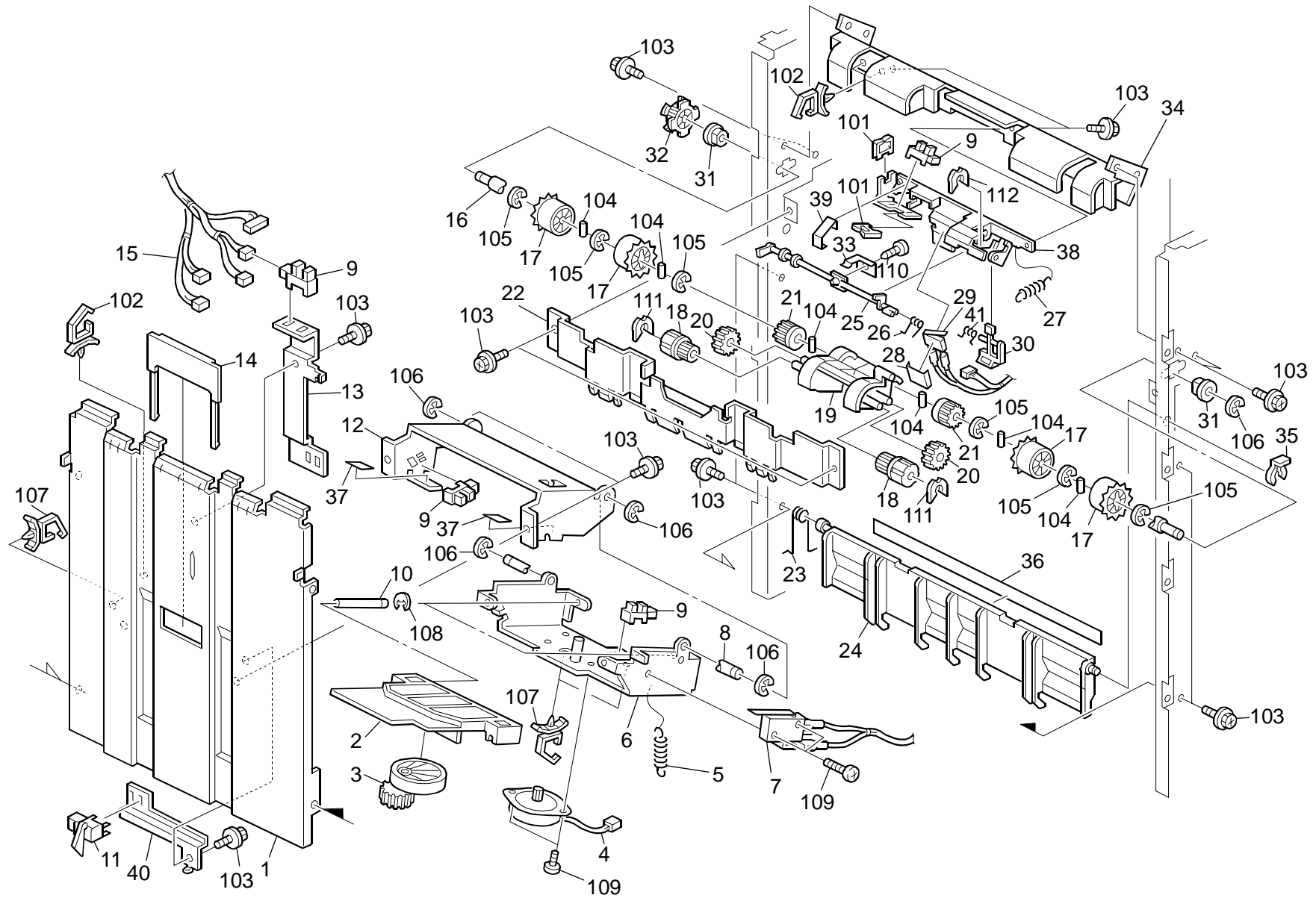


16.LOWER PAPER EXIT 1 (B674)

Index No.	Part No.	Description	Q'ty Per Assembly
1	B468 3615	Pulley - M9	8
2	C203 5135	Bushing - 10x14x5.9	2
3	B468 3515	Long Spacer - MM10	1
4	A697 3170	Gear - 42Z	1
5	A697 3180	Pulley - 18T	2
6	5053 0223	Bushing - 8mm	2
7	B468 3541	Tightener Bracket	1
8	B468 3614	Gear - Z49	1
9	B468 3631	Rear Tightener	1
10	B468 3613	Timing Pulley - T30P3M	3
11	B468 3651	Timing Belt - 804P3M6	2
12	B468 3551	Timing Belt - 1615P5M6	2
13	A697 3185	Pulley - 18T	2
14	B468 3531	Tightner	1
15	B468 3245	Arm	2
16	B468 3641	Front Tightener	1
17	B468 5574	Lower Tray Harness	1
18	B468 1676	Lower Rear Cover	1
19	B468 3181	Stay	1
20	B468 3223	Lower Holder - Rear	1
21	B468 3233	Front Stopper	1
22	B468 3226	Lower Stay	1
23	B468 3221	Lower Holder - Front	1
24	B468 3234	Rear Stopper	1
25	B468 1671	Lower Front Cover	1
26	B468 3242	Arm Stay	1
27	B468 3261	Tension Spring	2
28	B468 3252	Roller - M6	2
29	B468 3251	Arm Plate	2
30	AW01 0088	Sensor GP2A200LCS - Assembly	1
31	B468 3611	Upper Shaft	1
32	B468 3511	Drive Shaft	1
33	B468 3516	Short Spacer - MM10	1

Index No.	Part No.	Description	Q'ty Per Assembly
101	0451 3008N	Tapping Screw - M3x8	
102	0313 0060N	Philips Pan Head Screw - M3x6	
103	0450 3008N	Tapping Screw - M3x8	
104	0802 5276	Tapping Screw With Washer - M3x6	
105	0451 3006N	Tapping Screw - M3x6	
106	1105 0487	Harness Clamp	
107	0634 0200G	Parallel Pin - 4x20	
108	0720 0060E	Retaining Ring - M6	
109	0632 0120G	Parallel Pin - 2x12	
110	0720 0040E	Retaining Ring - M4	
111	0805 0088	Retaining Ring - M6	

17.LOWER PAPER EXIT 2 (B674))

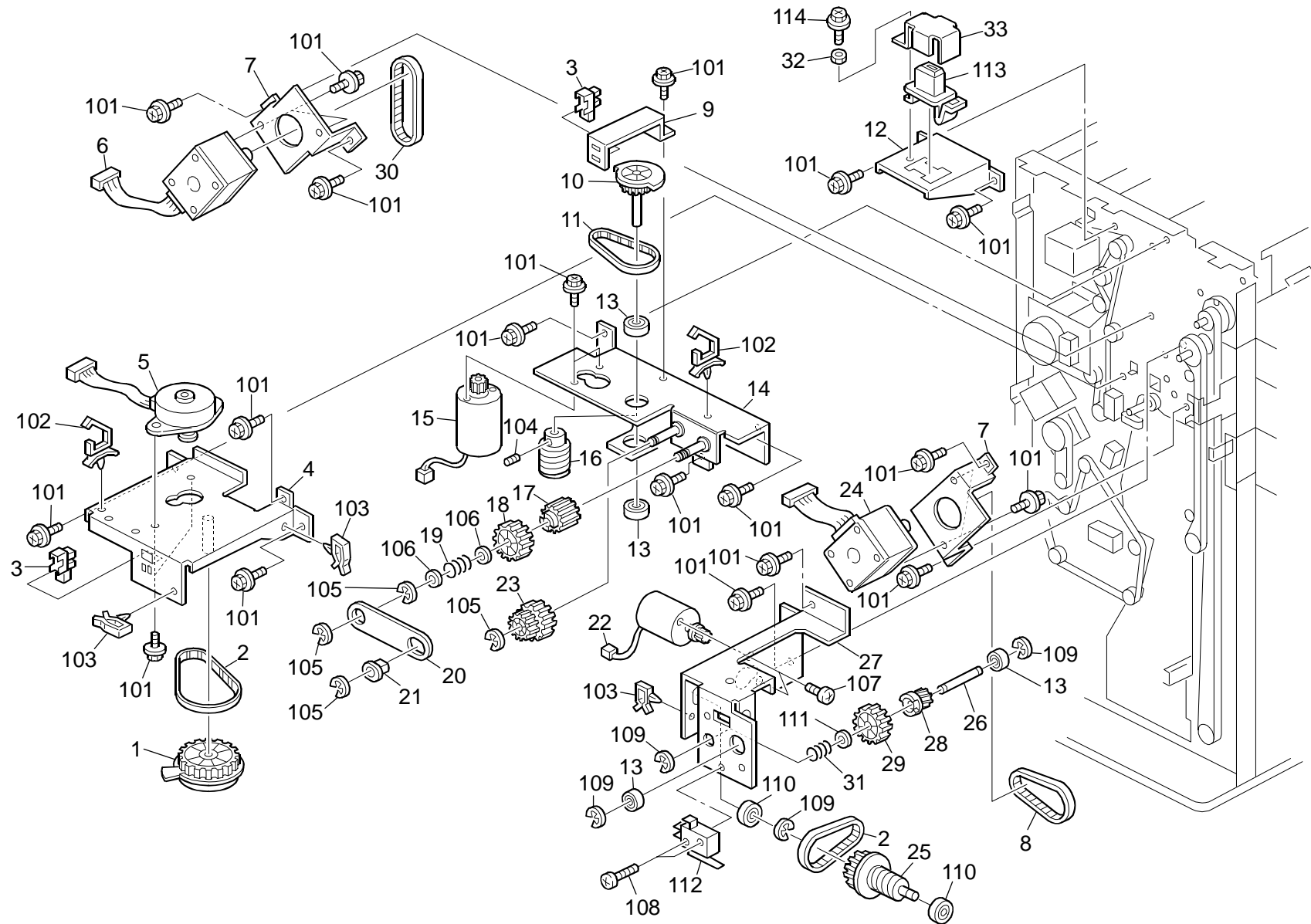


17.LOWER PAPER EXIT 2 (B674))

Index No.	Part No.	Description	Q'ty Per Assembly
1	B468 3411	End Fence	1
2	B468 3841	Pressure Plate	1
3	B468 3835	Pressure Plate Cam	1
4	B408 5530	Stepper Motor - 11W	1
5	B468 3849	Tension Spring	1
6	B468 3825	Pressuer Drive Sub-Unit Bracket	1
7	B468 5476	Switch Harness	1
8	B468 3848	Shaft	1
9	AW02 0086	Photointerruptor	3
10	B468 3845	Slide Shaft	2
11	AW02 0086	Photointerruptor	1
12	B468 3811	Pressure Plate Bracket	1
13	B468 3431	Middle Sensor Bracket	1
14	B468 3851	End Fence Cover	1
15	B674 5421	Harness - Lower Sensor	1
16	B674 2311	Exit Roller Shaft Ass'y	1
17	B468 2320	Exit Roller	4
18	B674 2337	Reverse Roller	1
19	B674 2336	Reverse Roller Arm	1
20	B352 2409	Idler Gear - 17z	1
21	B674 2338	Gear - 21Z	1
22	B674 3431	End Fence:Tray:Small:Ass'y	1
23	B468 3716	Torsion Spring	1
24	B468 3712	End Fence	1
25	B674 2123	Surface Of Paper Sensor Feeler	1
26	B674 2133	Torsion Spring:Feeler	1
27	B674 2344	Tension Spring:Gathering Roller	1
28	B674 2129	Micro Switch Tray Holder	1
29	B674 5483	Harness - Tray Motor Lower	1
30	B674 2122	Surface Of Paper Sensor Feeler	1
31	5053 0447	Bushing - 6mm	2
32	B468 2341	Pulley - Exit Roller	1
33	B674 2125	Tray:Micro Switch Spring Plate	1
34	B674 2154	Guide Plate:Exit:Ass'y	1
35	5447 2681	Snap Ring	1

Index No.	Part No.	Description	Q'ty Per Assembly
36	B468 3717	Film:Guide:End Fence:Open And C	2
37	B468 3815	Stopper - Pressure Plate	1
38	B674 2121	Feeler Bracket Ass'y	1
39	B674 2130	Harness Guide Film	1
40	B674 3891	Pressure Sensor Cover Bracket	1
41	B674 2132	Torsion Spring:Feeler	1
101	1105 0328	Harness Clamp - ES-0505	
102	1105 0511	Harness Clamp - LWS-0306ZC	
103	0451 3006N	Tapping Screw - M3x6	
104	0633 0120G	Parallel Pin - 3x12	
105	0720 0060E	Retaining Ring - M6	
106	0720 0040E	Retaining Ring - M4	
107	1105 0487	Harness Clamp	
108	0720 0030E	Retaining Ring - M3	
109	0313 0120N	Philips Pan Head Screw - M3x12	
110	0452 3008N	Tapping Screw - M3x8	
111	0805 0089	Retaining Ring - M4	
112	0805 0092	Retaining Ring - 3m	

18.DRIVE SECTION 1 (B674)



18.DRIVE SECTION 1 (B674)

Index No.	Part No.	Description	Q'ty Per Assembly
1	B468 2425	Drive Pulley	1
2	AA04 3054	Timing Belt - 142 P2M4	2
3	AW02 0086	Photointerruptor	2
4	B468 2418	Motor Bracket	1
5	B468 5780	Stepper Motor - DC 20.4W	1
6	B468 5750	Stepper Motor - DC 12.4W	1
7	B468 2691	Stepper Motor Bracket	2
8	B468 2631	Timing Belt - 186P2M4	1
9	B468 3526	Encoder Bracket	1
10	B468 3528	Shaft - Pulley T48P2M	1
11	B468 3529	Timing Belt - 164P2M4	1
12	B468 5995	Connector Bracket	1
13	A232 3562	Ball Bearing - 6x12x4mm	4
14	B468 3521	Lower Motor Bracket	1
15	AX06 0234	DC Motor - 25.1W	1
16	A300 2736	Worm Gear	1
17	A697 3135	Gear - 18Z	1
18	A697 3140	Gear - 30Z	1
19	A353 3113	Pressure Spring	1
20	B468 3561	Lower Stay	1
21	H521 1311	Busing	1
22	AX05 0183	DC Motor - 8.9W	1
23	A697 3145	Gear - 36Z/18Z	1
24	B468 5755	Stepper Motor - DC 12.4W	1
25	A566 3741	Worm Pulley	1
26	B468 3623	Upper Stud	1
27	B468 3622	Upper Motor Bracket	1
28	A566 3751	Gear - 18Z	1
29	A566 3752	Gear - 25Z	1
30	B468 2611	Timing Belt - 219P3M4	1
31	A566 3753	Pressure Spring	1
32	AA10 0006	Nut - M3.6	1
33	B468 5996	Cover:Connector:Ass'y	1

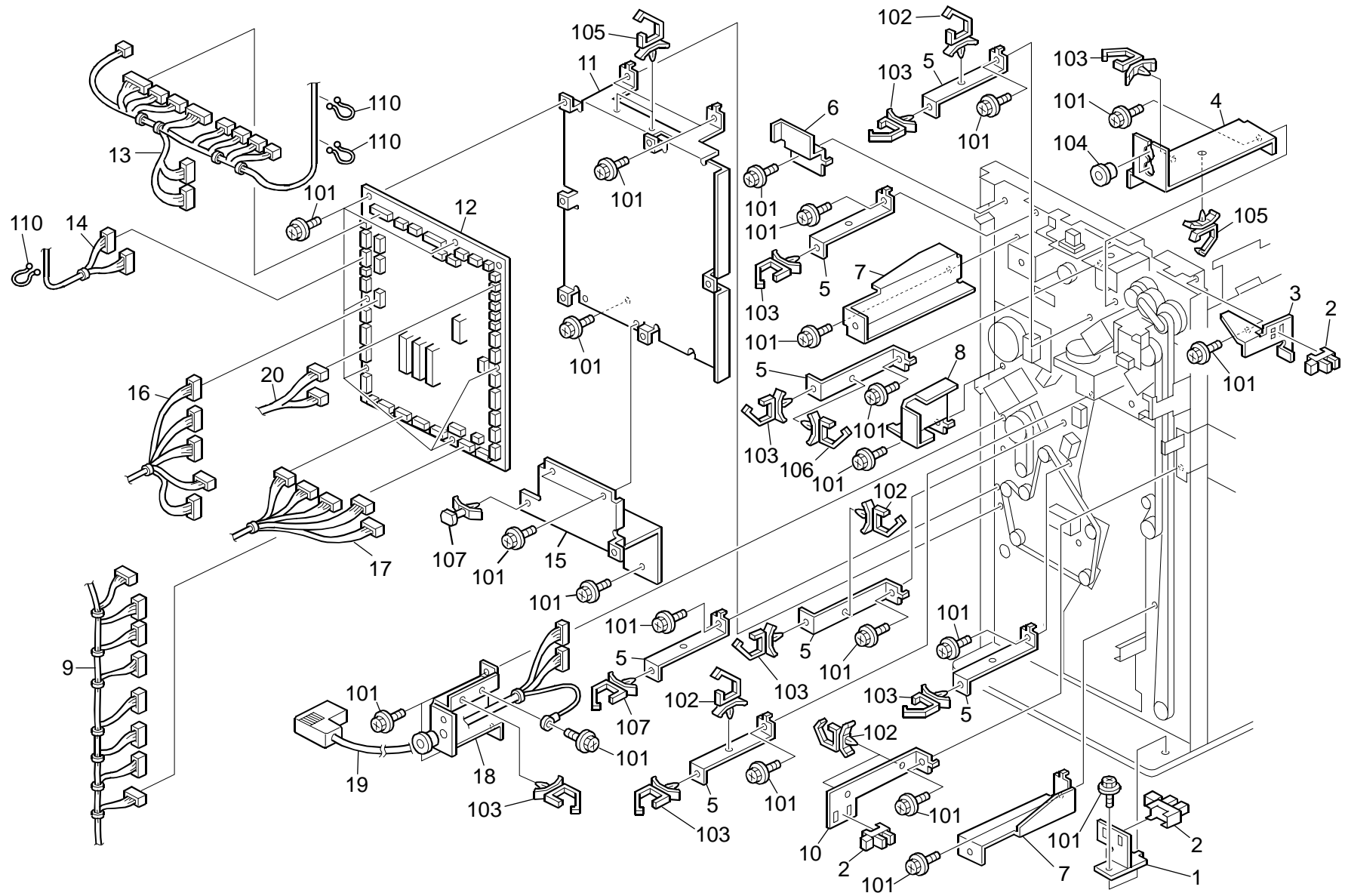
Index No.	Part No.	Description	Q'ty Per Assembly
101	0451 3006N	Tapping Screw - M3x6	
102	1105 0487	Harness Clamp	
103	1105 0511	Harness Clamp - LWS-0306ZC	
104	0574 0040E	Hexagon Headless Set Screw - M4x4	
105	0720 0060E	Retaining Ring - M6	
106	0807 5056	Washer - 8.1mm	
107	0313 0050N	Philips Pan Head Screw - M3x5	
108	0313 0120N	Philips Pan Head Screw - M3x12	
109	0720 0040E	Retaining Ring - M4	
110	0805 3383	Bushing - M5	
111	0807 4118	Flat Washer	
112	1204 2233	Microswitch - AH715254N	
113	1102 8534	Connector - QR/P17-14S-B	
114	0451 4006N	Tapping Screw - 4x6	

19.DRIVE SECTION 2 (B674)

Index No.	Part No.	Description	Q'ty Per Assembly
1	B468 2631	Timing Belt - 186P2M4	1
2	B312 1524	Motor Bracket	1
3	AX04 0121	Stepping Motor - DC 6.5W	1
4	B468 5750	Stepper Motor	2
5	B468 2691	Stepper Motor Bracket	2
6	B468 2611	Timing Belt - 219P3M4	2
7	B468 2760	DC Solenoid:Gate Pawl:Proof Tray	2
8	B468 2662	Timing Belt - 552P3M4	1
9	B468 2750	DC Solenoid:Gate Pawl	1
10	AA06 0092	Release Spring	3
11	B468 2621	Timing Belt - 681P3M4	1
12	A697 1518	Spring - Oil Blade	2
13	A697 1125	Stepped Screw - Lever	2
14	B312 1600	Tightener	1
15	B312 1610	Tightener	1
16	B468 2770	DC Solenoid:Gate Pawl:Duplex	1
17	B468 2550	DC Solenoid:Gathering Roller	1
18	A300 3865	Release Spring	1
19	B312 1615	Tension Roller	2

Index No.	Part No.	Description	Q'ty Per Assembly
101	1105 0334	Edge - 17	
102	1105 0328	Harness Clamp - ES-0505	
103	1105 0231	Clamp	
104	0451 3006N	Tapping Screw - M3x6	
105	0451 3008N	Tapping Screw - M3x8	
106	0453 3006N	Tapping Screw - M3x6	
107	1105 0488	Harness Clamp	
108	1105 0511	Harness Clamp - LWS-0306ZC	

20.ELECTRICAL SECTION (B674)

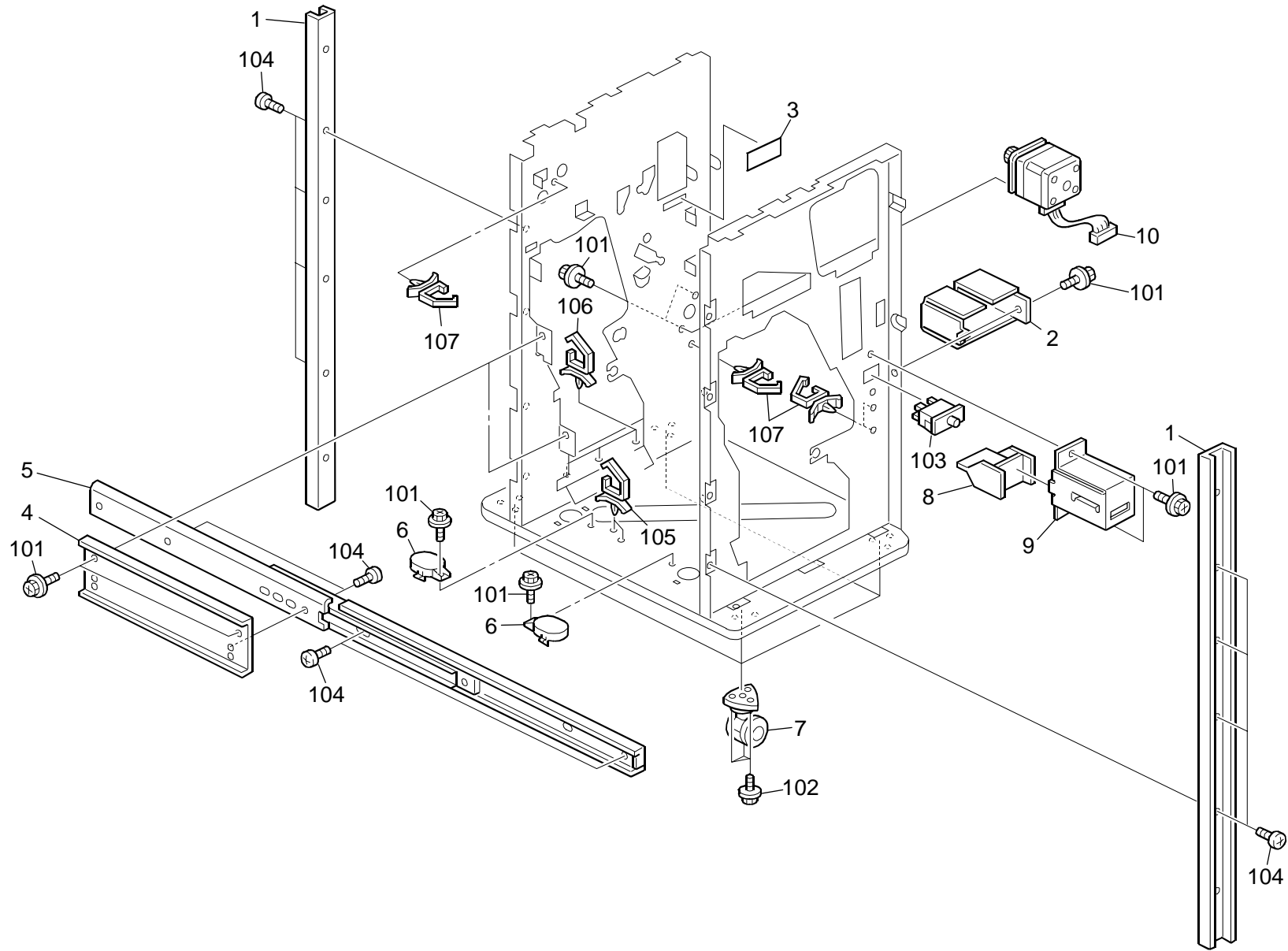


20.ELECTRICAL SECTION (B674)

Index No.	Part No.	Description	Q'ty Per Assembly
1	B468 3272	Sensor Bracket	1
2	AW02 0086	Photointerruptor	3
3	B468 3187	Bracket - Hp Sensor	1
4	B468 5993	Harness Bracket - Shift Tray	1
5	B468 5991	Harness Bracket	7
6	B468 1613	Upper Stay	1
7	B468 1731	Rear Cover Bracket	2
8	B545 1135	Angle:Harness Clamp	1
9	B674 5420	Harness - Main Sensor	1
10	B468 3192	Lower Bracket	1
11	B674 5991	Bracket:Stay:PCB	1
12	B674 5100	PCB Control Main	1
13	B674 5410	Harness - Main Motor	1
14	B468 5590	Interface Harness - Option	1
15	B674 5992	Small PCB Bracket Stay	1
16	B674 5430	Harness - Stapler Unit Motor	1
17	B674 5440	Harness - Stapler Unit Sensor	1
18	B468 5994	Interface Bracket	1
19	B468 5481	Interface Harness	1
20	B674 5471	Harness - Upper Tray Motor	1

Index No.	Part No.	Description	Q'ty Per Assembly
101	0451 3006N	Tapping Screw - M3x6	
102	1105 0511	Harness Clamp - LWS-0306ZC	
103	1105 0488	Harness Clamp	
104	1106 0289	Bushing - SR-5N-1	
105	1105 0487	Harness Clamp	
106	1105 0516	Clamp	
107	1105 0409	Card Spacer- 6.4mm	

21.FRAME SECTION (B674)

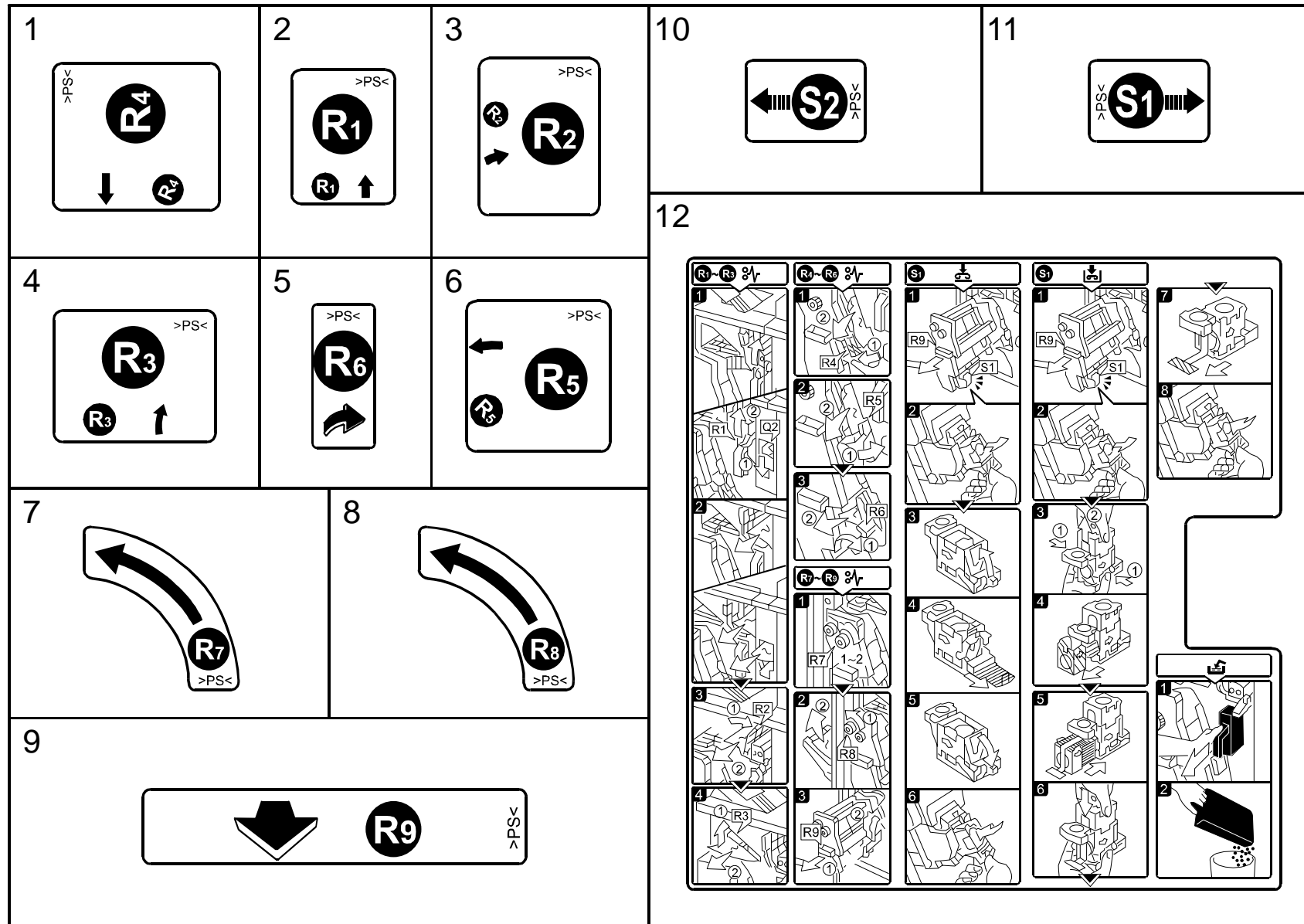


21.FRAME SECTION (B674)

Index No.	Part No.	Description	Q'ty Per Assembly
1	B468 3311	Support Tray	2
2	B468 1257	Safety Switch Cover	1
3	B468 1214	Toner Hopper Film	1
4	B468 1412	Slide Rail Bracket	2
5	A666 1315	Slide Rail	2
6	A697 1117	Base Plate Cap	2
7	AH01 2019	Caster	4
8	B468 1256	Safety Switch Lever	1
9	B468 1255	Safety Switch Bracket	1
10	B468 5750	Stepper Motor	1

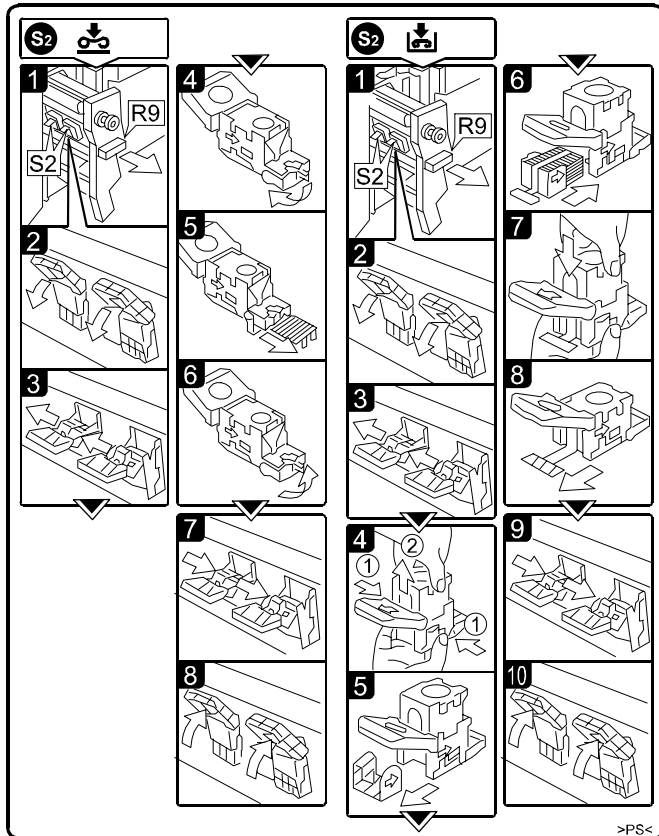
Index No.	Part No.	Description	Q'ty Per Assembly
101	0451 3006N	Tapping Screw - M3x6	
102	0802 5277	Tapping Screw	
103	1204 2384	Interlock Switch	
104	0453 3006N	Tapping Screw - M3x6	
105	1105 0489	Harness Clamp - LWS 1316	
106	1105 0488	Harness Clamp	
107	1105 0487	Harness Clamp	
108	0950 3006N	Sem.s Screw - M3x6	

22.DECAL AND DOCUMENTS (B674)

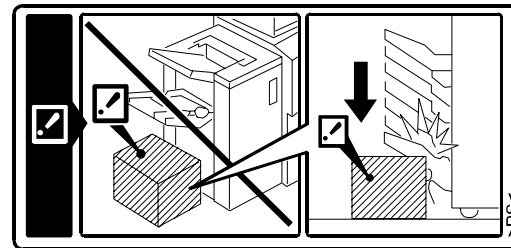


22.DECAL AND DOCUMENTS (B674)

13



14



15



22.DECAL AND DOCUMENTS (B674)

Index No.	Part No.	Description	Q'ty Per Assembly
1	A697 5500	Decal - Replacement R4	1
2	B302 7701	Decal - R1	1
3	B302 7702	Decal - R2	1
4	B302 7703	Decal - R3	1
5	B302 7706	Decal - R6	1
6	B312 5700	Decal - R5	1
7	B468 7801	Decal - R7	1
8	B468 7802	Decal - R8	1
9	B468 7803	Decal - R9	1
10	B468 7804	Decal - S2	1
11	B468 7805	Decal - S1	1
12	B468 7806	Decal - Misfeed Removal	1
13	B468 7807	Decal - Staple Exchange	1
14	B468 7812	Caution Decal - Tray Fall	1
15	B468 7813	Decal - Tray Rise	1

Index No.	Part No.	Description	Q'ty Per Assembly

Parts Index

Parts Index

Part No.	Description	Page and Index No.
B674 1649	Left Upper Cover	35 - 1
B674 1661	Upper Front Shift Tray Cover	35 - 25
B674 1666	Upper Rear Shift Tray Cover	35 - 13
B674 1681	Inner Cover	7 - 19
B674 2121	Feeler Bracket Ass'y	39 - 38
B674 2122	Surface Of Paper Sensor Feeler	39 - 30
B674 2123	Surface Of Paper Sensor Feeler	39 - 25
B674 2125	Tray:Micro Switch Spring Plate	39 - 33
B674 2129	Micro Switch Tray Holder	39 - 28
B674 2130	Harness Guide Film	39 - 39
B674 2132	Torsion Spring:Feeler	39 - 41
B674 2133	Torsion Spring:Feeler	39 - 26
B674 2154	Guide Plate:Exit:Ass'y	39 - 34
B674 2311	Exit Roller Shaft Ass'y	39 - 16
B674 2336	Reverse Roller Arm	39 - 19
B674 2337	Reverse Roller	39 - 18
B674 2338	Gear - 21Z	39 - 21
B674 2344	Tension Spring:Gathering Roller	39 - 27
B674 2911	Surface Of Paper Sensor Bracket	15 - 4
B674 2915	Proof Tray Exit Guide Plate	15 - 2
B674 2991	Micro Switch Bracket	13 - 28
B674 2992	Guide Plat Micro Switch Bracket	13 - 32
B674 2993	Micro Switch Contact Point Bracket	13 - 31
B674 3117	Guide:Feeler	35 - 38
B674 3121	Upper Tray Front Holder Ass'y	35 - 28
B674 3125	Upper Tray Rear Holder Ass'y	35 - 15
B674 3133	Upper Tray Holder Stay Ass'y	35 - 33
B674 3138	Cushion:Lever:Paper Sensor	35 - 37
B674 3149	Bracket:Surface Of Paper Sensor	35 - 8
B674 3151	Surface Of Paper Sensor Lever	35 - 23
B674 3152	Surface Of Paper Sensor Lever Stay	35 - 9
B674 3153	Feeler Torsion Spring	35 - 34
B674 3154	Plate:Stay:Lever:Surface Of Paper Sensor	35 - 39
B674 3161	Upper End Fence Ass'y	35 - 3
B674 3175	Surface Of Paper Sensor Cover	35 - 24

Part No.	Description	Page and Index No.
B674 3215	Tray:Turn:Auxiliary	7 - 26
B674 3431	End Fence:Tray:Small:Ass'y	39 - 22
B674 3891	Pressure Sensor Cover Bracket	39 - 40
B674 4111	Stapler Tray	23 - 11
B674 4122	Stapler Upper Stay Ass'y	23 - 5
B674 4127	Small Stapler Upper Stay	25 - 9
B674 4128	Stapler Guide	25 - 8
B674 4129	Cover:Stay:Stapler:Upper	25 - 10
B674 4146	Guide:Film:Exit Belt	23 - 1
B674 4149	Stapler Tray Bracket	21 - 25
B674 4152	Stapler Trailing Standard Fence	21 - 20
B674 4156	Stapler Trailing Standard Fence	21 - 27
B674 4157	Film:Guide:Standard Fence:Stapl	21 - 26
B674 4161	Shaft - Exit Belt Drive Ass'y	23 - 12
B674 4231	Stay:Stapler:Slide Rail	25 - 2
B674 4320	Standard Fence Moveable Base	23 - 28
B674 4321	Shaft - Standard Fence Move Guide	23 - 25
B674 4323	Standard Fence Moveable	23 - 32
B674 4324	Standard Fence Moveable Holder	23 - 26
B674 4330	Pulley - 32/53T	23 - 21
B674 4331	Bracket:Motor:Standard Fence:Mo	23 - 20
B674 4334	Pulley - 20T	23 - 24
B674 4335	Standard Fence Belt Tensioner	23 - 30
B674 4338	Standard Fence Tension Spring	23 - 31
B674 4339	Timing Belt - B40S2M192	23 - 22
B674 4340	Film - Lower Jogger Fence Guide	21 - 31
B674 4340	Film - Lower Jogger Fence Guide	23 - 33
B674 4511	Base:Pawl:Stopper:Ass'y	27 - 19
B674 4520	Timing Belt - B40S2M178	27 - 15
B674 4521	Timing Belt - B40S2M500	27 - 11
B674 4522	Pawl Stopper Guide Shaft	27 - 25
B674 4523	Shaft - Upper Transport Pawl Pulley	27 - 9
B674 4525	Pawl Stopper Sensor Bracket	27 - 8
B674 4526	Pawl Stopper Open And Close Bracket	27 - 23
B674 4527	Pulley - 48T	27 - 10

Part No.	Description	Page and Index No.
B674 4528	Pulley - 15T	27 - 21
B674 4529	Pulley - 20/36T	27 - 14
B674 4530	Gear - 20/30Z	27 - 16
B674 4531	Gear - 30Z	27 - 13
B674 4536	Tension Spring	27 - 24
B674 4540	Shaft:Pulley:Pawl:Transport:Low	27 - 20
B674 4551	Inner Cover:Pawl:Stopper	27 - 26
B674 4613	Pawl Stopper Holder	27 - 5
B674 4614	Pawl Stopper Guide Roller	27 - 6
B674 4615	Shaft - Pawl Stopper	27 - 3
B674 4616	Pawl Stopper	27 - 4
B674 4617	Pawl Stopper Bracket	27 - 2
B674 4618	Pawl Stopper Torsion Spring	27 - 1
B674 4619	Pawl Stopper Motor Bracket	27 - 17
B674 4620	Pawl Stopper Belt Tensioner Ass'y	27 - 22
B674 4635	Paper Crimp Drive Bracket Ass'y	33 - 11
B674 4791	Paper Crimp Guide Plate	31 - 22
B674 5100	PCB Control Main	45 - 12
B674 5410	Harness - Main Motor	45 - 13
B674 5420	Harness - Main Sensor	45 - 9
B674 5421	Harness - Lower Sensor	39 - 15
B674 5422	Harness - Exit Sensor	11 - 4
B674 5422	Harness - Exit Sensor	13 - 22
B674 5423	Harness - Guide Sensor	13 - 4
B674 5430	Harness - Stapler Unit Motor	45 - 16
B674 5440	Harness - Stapler Unit Sensor	45 - 17
B674 5441	Harness - Staple Motor	25 - 11
B674 5442	Harness - Stapler Cartridge	25 - 3
B674 5443	Harness - Stapler Unit Sensor	21 - 17
B674 5450	Harness - Stapler	29 - 23
B674 5471	Harness - Upper Tray Motor	45 - 20
B674 5475	Harness - Tray	35 - 11
B674 5483	Harness - Tray Motor Lower	39 - 29
B674 5495	Harness - Paper Exit Sub-unit	15 - 6
B674 5991	Bracket:Stay:PCB	45 - 11

Part No.	Description	Page and Index No.
B674 5992	Small PCB Bracket Stay	45 - 15
B674 6517	Tray:Auxiliary	7 - 27

Part No.	Description	Page and Index No.
A232 3562	Ball Bearing - 6x12x4mm	41 - 13
A300 2132	Guide Roller	29 - 34
A300 2736	Worm Gear	41 - 16
A300 3151	Support Bracket	25 - 12
A300 3812	Spacer - 6x22x1.5	29 - 11
A300 3851	Positioning Roller Bracket	19 - 18
A300 3865	Release Spring	43 - 18
A353 2763	Washer - M5	23 - 6
A353 3113	Pressure Spring	41 - 19
A376 1343	Original Pressure Roller	29 - 25
A458 2251	Cushion - Bin Solenoid Lever	11 - 9
A458 2251	Cushion - Bin Solenoid Lever	17 - 19
A458 2251	Cushion - Bin Solenoid Lever	15 - 16
A566 3741	Worm Pulley	41 - 25
A566 3751	Gear - 18Z	41 - 28
A566 3752	Gear - 25Z	41 - 29
A566 3753	Pressure Spring	41 - 31
A608 2813	Positioning Roller Arm	19 - 9
A608 2816	Positioning Roller Shaft	19 - 15
A612 2435	Support Plate	17 - 6
A666 1315	Slide Rail	47 - 5
A666 3180	Timing Pulley - Z32	23 - 9
A666 3270	Pulley - Z40	23 - 15
A680 1181	Magnetic Catch	15 - 22
A681 2416	Antistatic Brush	33 - 17
A697 1117	Base Plate Cap	47 - 6
A697 1125	Stepped Screw - Lever	13 - 30
A697 1125	Stepped Screw - Lever	9 - 18
A697 1125	Stepped Screw - Lever	29 - 7
A697 1125	Stepped Screw - Lever	21 - 30
A697 1125	Stepped Screw - Lever	23 - 23
A697 1125	Stepped Screw - Lever	31 - 1
A697 1125	Stepped Screw - Lever	33 - 1
A697 1125	Stepped Screw - Lever	43 - 13
A697 1125	Stepped Screw - Lever	15 - 28

Part No.	Description	Page and Index No.
A697 1128	Joint Lever	9 - 17
A697 1144	Rear Joint Bracket	7 - 8
A697 1153	Front Joint Bracket	7 - 9
A697 1518	Spring - Oil Blade	43 - 12
A697 1518	Spring - Oil Blade	29 - 6
A697 1605	Spacer - 6x10x15.2mm	13 - 25
A697 1605	Spacer - 6x10x15.2mm	17 - 2
A697 1605	Spacer - 6x10x15.2mm	15 - 27
A697 1606	Spacer - 6x12x2.7mm	15 - 24
A697 2131	Antistatic Brush	23 - 4
A697 2131	Antistatic Brush	19 - 27
A697 2132	Joint - Brush Roller	19 - 4
A697 2138	Brush Roller	19 - 5
A697 2140	Upper Entrance Guide	15 - 21
A697 2144	Pressure Spring	15 - 23
A697 2145	Entrance Sensor Bracket	9 - 11
A697 2150	Lower Entrance Guide	9 - 10
A697 2187	Pressure Spring - 14.1mm	15 - 12
A697 2187	Pressure Spring - 14.1MM	17 - 26
A697 2260	Pulley - 17T	19 - 17
A697 3135	Gear - 18Z	41 - 17
A697 3140	Gear - 30Z	41 - 18
A697 3145	Gear - 36Z/18Z	41 - 23
A697 3170	Gear - 42Z	37 - 4
A697 3180	Pulley - 18T	37 - 5
A697 3185	Pulley - 18T	37 - 13
A697 3215	Pulley - 19T	29 - 36
A697 3220	Timing Belt - B40S2M112	29 - 37
A697 4140	Sector Gear - 144Z	29 - 24
A697 4170	Pulley - 32T	21 - 9
A697 5500	Decal - Replacement R4	17 - 11
A697 5500	Decal - Replacement R4	49 - 1
A859 3420	Middle Driven Roller	9 - 7
A859 3425	Spring Plate	9 - 5
B302 1163	Grounding Plate	7 - 7

Part No.	Description	Page and Index No.
B302 1164	Grounding Plate Bracket	7 - 6
B302 2216	Exit Guide - Upper Exit Guide	15 - 8
B302 2413	Brush Roller	19 - 3
B302 2451	Lower Guide Plate	19 - 23
B302 2459	Spring - 5x39mm	19 - 24
B302 4256	Timing Pulley - 20Z/40Z	29 - 10
B302 4259	Timing Belt - 195PM6	29 - 9
B302 4292	Belt Holder	29 - 32
B302 4293	Belt Holder Bracket	29 - 31
B302 4756	Timing Belt - 753P3M6	29 - 12
B302 7701	Decal - R1	15 - 18
B302 7701	Decal - R1	49 - 2
B302 7702	Decal - R2	49 - 3
B302 7702	Decal - R2	9 - 3
B302 7703	Decal - R3	11 - 11
B302 7703	Decal - R3	49 - 4
B302 7706	Decal - R6	49 - 5
B302 7706	Decal - R6	19 - 25
B312 1521	Timing Pulley - 20T	17 - 3
B312 1524	Motor Bracket	43 - 2
B312 1600	Tightener	43 - 14
B312 1610	Tightener	43 - 15
B312 1615	Tension Roller	43 - 19
B312 2100	Pre-stack Gate	17 - 18
B312 2166	Vertical Guide	17 - 20
B312 2171	Middle Guide - Vertical Transport	17 - 15
B312 2172	Driven Roller	17 - 14
B312 2173	Support Plate	17 - 17
B312 2174	Pressure Spring - 12mm	17 - 12
B312 2176	Transport Roller	17 - 24
B312 4140	Stepping Motor - DC 16.1w	27 - 18
B312 4140	Stepping Motor - 8.0W	23 - 13
B312 5700	Decal - R5	49 - 6
B312 5700	Decal - R5	17 - 16
B352 2409	Idler Gear - 17z	39 - 20

Part No.	Description	Page and Index No.
B352 2610	Shift Transport Roller	9 - 14
B352 2610	Shift Transport Roller	17 - 21
B352 4261	Tightener - Exit Belt	21 - 14
B352 4318	Bushing - Lower Slider	29 - 28
B352 4379	Lower Guide Plate	29 - 18
B352 7507	Punch Screw	9 - 20
B408 1413	Coupling Stay	9 - 16
B408 1413	Coupling Stay	19 - 29
B408 1413	Coupling Stay	15 - 15
B408 2173	Slide Roller	11 - 15
B408 2174	Spring	11 - 14
B408 2175	Bushing - Roller Slide	11 - 13
B408 2191	Guide Plate - Connecting Lower	9 - 13
B408 2311	Slide Roller	13 - 17
B408 2312	Bushing - Roller Slide	13 - 1
B408 5530	Stepper Motor - 11W	39 - 4
B468 1214	Toner Hopper Film	47 - 3
B468 1255	Safety Switch Bracket	47 - 9
B468 1256	Safety Switch Lever	47 - 8
B468 1257	Safety Switch Cover	47 - 2
B468 1332	Exit Sensor Bracket	19 - 31
B468 1412	Slide Rail Bracket	47 - 4
B468 1611	Upper Cover	7 - 4
B468 1612	Angle - Upper Cover	9 - 2
B468 1613	Upper Stay	45 - 6
B468 1616	Small Upper Cover	7 - 3
B468 1618	Connector Cover	7 - 2
B468 1625	Front Cover	7 - 13
B468 1626	Stopper - Door Lower	7 - 18
B468 1628	Upper Stopper	7 - 11
B468 1629	Front Cover Grip	7 - 15
B468 1631	Rear Cover	7 - 1
B468 1651	Left Front Cover	7 - 20
B468 1671	Lower Front Cover	37 - 25
B468 1676	Lower Rear Cover	37 - 18

Part No.	Description	Page and Index No.
B468 1711	Upper Hinge	7 - 12
B468 1721	Lower Hinge	7 - 21
B468 1731	Rear Cover Bracket	45 - 7
B468 2112	Upper Guide Plate	15 - 11
B468 2117	Cushion - Gate Pawl	11 - 20
B468 2118	Lower Guide Plate	17 - 23
B468 2120	Lower Guide Plate	11 - 10
B468 2121	Film - Proof Tray	15 - 10
B468 2122	Cushion ^ Gate Pawl	9 - 21
B468 2127	Guide Plate	13 - 21
B468 2128	Film - Exit Guide	13 - 19
B468 2131	Stapler Guide Plate	19 - 28
B468 2134	Stapler Guide	19 - 32
B468 2145	Knob - Release Lever	15 - 20
B468 2153	Upper Guide Plate	9 - 8
B468 2162	Guide Plate	17 - 9
B468 2174	Guide Plate	11 - 18
B468 2175	Supporting Plate	11 - 21
B468 2188	Both End Guide - Stapler Tray	19 - 20
B468 2189	Guide:Exit:Stapler Tray:Middle	19 - 19
B468 2196	Upper Guide Plate	9 - 12
B468 2221	Lower Exhaust Roller	19 - 1
B468 2222	Exit Roller	19 - 6
B468 2224	Flange - Brush Roller	19 - 2
B468 2231	Transport Roller	15 - 17
B468 2231	Transport Roller	13 - 18
B468 2231	Transport Roller	17 - 22
B468 2241	Exit Roller - Proof Tray	15 - 7
B468 2255	Timing Pulley - T20	19 - 16
B468 2255	Timing Pulley - T20	9 - 6
B468 2255	Timing Pulley - T20	13 - 26
B468 2255	Timing Pulley - T20	15 - 26
B468 2255	Timing Pulley - T20	17 - 1
B468 2320	Exit Roller	39 - 17
B468 2341	Pulley - Exit Roller	39 - 32

Part No.	Description	Page and Index No.
B468 2415	Arm - Roller Slide	13 - 24
B468 2418	Motor Bracket	41 - 4
B468 2425	Drive Pulley	41 - 1
B468 2515	Spring - Gather Roller	19 - 10
B468 2550	DC Solenoid:Gathering Roller	43 - 17
B468 2611	Timing Belt - 219P3M4	43 - 6
B468 2611	Timing Belt - 219P3M4	41 - 30
B468 2621	Timing Belt - 681P3M4	43 - 11
B468 2631	Timing Belt - 186P2M4	43 - 1
B468 2631	Timing Belt - 186P2M4	41 - 8
B468 2662	Timing Belt - 552P3M4	43 - 8
B468 2691	Stepper Motor Bracket	43 - 5
B468 2691	Stepper Motor Bracket	41 - 7
B468 2711	Gate Pawl	15 - 14
B468 2721	Lower Gate Pawl	11 - 8
B468 2750	DC Solenoid:Gate Pawl	43 - 9
B468 2760	DC Solenoid:Gate Pawl:Proof Tray	43 - 7
B468 2770	DC Solenoid:Gate Pawl:Duplex	43 - 16
B468 2811	Exit Guide Plate	11 - 5
B468 2815	Discharge Brush	11 - 2
B468 2816	Exit Mylar	11 - 1
B468 2831	Driven Shaft - Exit Roller	11 - 7
B468 2832	Driven Exit Roller	11 - 6
B468 2835	Mylar - Exit Roller Shaft	11 - 22
B468 2848	Guide Plate Stay	13 - 8
B468 2861	Worm Gear - T40P2M	13 - 16
B468 2862	Guide Plate Cam	13 - 13
B468 2865	Worm Wheel - Z20	13 - 14
B468 2871	Sensor Bracket	13 - 6
B468 2881	Guide Plate Link	13 - 10
B468 2882	Link Bushing	13 - 11
B468 2883	Compression Spring - Guide Plate	13 - 12
B468 2891	Switch Bracket	13 - 3
B468 2896	Tension Spring - 5N	13 - 29
B468 3116	Upper Bracket - Paper Height Sensor	35 - 4

Part No.	Description	Page and Index No.
B468 3131	Rear Stay - Timing Belt	35 - 19
B468 3132	Front Stay - Timing Belt	35 - 27
B468 3135	Stopper - Timing Belt	35 - 26
B468 3137	Shaft - End Fence	35 - 22
B468 3138	Gear - End Fence	35 - 16
B468 3142	Shaft - Spring Clutch	35 - 20
B468 3143	Cushion - Solenoid Spring Clutch	35 - 32
B468 3145	Tension Spring	35 - 31
B468 3147	Support Plate	35 - 29
B468 3148	Upper Plate	35 - 35
B468 3168	Rack	35 - 6
B468 3181	Stay	37 - 19
B468 3181	Stay	35 - 14
B468 3187	Bracket - Hp Sensor	45 - 3
B468 3192	Lower Bracket	45 - 10
B468 3196	Spring Clutch - End Fence	35 - 21
B468 3212	Shift Tray IBM	7 - 22
B468 3216	Auxiliary Turn Tray IBM	7 - 24
B468 3219	Slide Tray IBM	7 - 23
B468 3221	Lower Holder - Front	37 - 23
B468 3223	Lower Holder - Rear	37 - 20
B468 3226	Lower Stay	37 - 22
B468 3233	Front Stopper	37 - 21
B468 3234	Rear Stopper	37 - 24
B468 3242	Arm Stay	37 - 26
B468 3245	Arm	37 - 15
B468 3251	Arm Plate	37 - 29
B468 3252	Roller - M6	37 - 28
B468 3261	Tension Spring	37 - 27
B468 3272	Sensor Bracket	45 - 1
B468 3311	Support Tray	47 - 1
B468 3411	End Fence	39 - 1
B468 3431	Middle Sensor Bracket	39 - 13
B468 3511	Drive Shaft	37 - 32
B468 3515	Long Spacer - MM10	37 - 3

Part No.	Description	Page and Index No.
B468 3516	Short Spacer - MM10	37 - 33
B468 3521	Lower Motor Bracket	41 - 14
B468 3526	Encoder Bracket	41 - 9
B468 3528	Shaft - Pulley T48P2M	41 - 10
B468 3529	Timing Belt - 164P2M4	41 - 11
B468 3531	Tightner	37 - 14
B468 3541	Tightener Bracket	37 - 7
B468 3551	Timing Belt - 1615P5M6	37 - 12
B468 3561	Lower Stay	41 - 20
B468 3611	Upper Shaft	37 - 31
B468 3613	Timing Pulley - T30P3M	37 - 10
B468 3614	Gear - Z49	37 - 8
B468 3615	Pulley - M9	37 - 1
B468 3622	Upper Motor Bracket	41 - 27
B468 3623	Upper Stud	41 - 26
B468 3631	Rear Tightener	37 - 9
B468 3641	Front Tightener	37 - 16
B468 3651	Timing Belt - 804P3M6	37 - 11
B468 3712	End Fence	39 - 24
B468 3716	Torsion Spring	39 - 23
B468 3717	Film:Guide:End Fence:Open And C	39 - 36
B468 3811	Pressure Plate Bracket	39 - 12
B468 3815	Stopper - Pressure Plate	39 - 37
B468 3825	Pressuer Drive Sub-Unit Bracket	39 - 6
B468 3835	Pressure Plate Cam	39 - 3
B468 3841	Pressure Plate	39 - 2
B468 3845	Slide Shaft	39 - 10
B468 3848	Shaft	39 - 8
B468 3849	Tension Spring	39 - 5
B468 3851	End Fence Cover	39 - 14
B468 4115	Guide Film (B468)	21 - 18
B468 4116	Middle Stapler Film	21 - 22
B468 4117	Shaft - M6x24	23 - 10
B468 4118	Upper Myler - Stapler	21 - 19
B468 4119	Front Myler - Stapler	21 - 3

Part No.	Description	Page and Index No.
B468 4126	Entrance Myler	25 - 5
B468 4136	Middle Myler	25 - 4
B468 4142	Exit Belt	23 - 8
B468 4147	Exit Belt Pawl	23 - 7
B468 4154	Fence Slider	21 - 21
B468 4158	Guide Rod	21 - 24
B468 4173	Bracket:Sensor:Exit Belt	23 - 3
B468 4191	Spacer:Home Position Sensor:Jog	21 - 28
B468 4311	Jogger Fence:Rear:Ass'y	21 - 1
B468 4321	Jogger Fence:Front:Ass'y	21 - 2
B468 4325	Long Shaft	21 - 5
B468 4326	Short Shaft	21 - 15
B468 4331	Rear Myler	21 - 23
B468 4332	Front Myler	21 - 4
B468 4333	Tension Spring - 10.6N	21 - 11
B468 4341	Motor Bracket	23 - 14
B468 4362	Jogger Fence Belt Tensioner Ass'y	21 - 10
B468 4366	Jogger Fence Belt Tensioner Bracket	21 - 29
B468 4371	Timing Belt - 900P2M4	21 - 8
B468 4381	Stopper - Timing Belt	21 - 7
B468 4511	Fix Bracket	29 - 16
B468 4513	Stapler Guide	29 - 17
B468 4516	Inner Cover	29 - 21
B468 4521	Turn Bracket	29 - 15
B468 4532	Stapler Bracket Ass'Y	29 - 29
B468 4538	Standard Fence Plate	29 - 30
B468 4546	Hp Sensor Bracket	29 - 33
B468 4551	Stapler Stay	29 - 3
B468 4556	Stapler Guide Rod	29 - 13
B468 4611	Drive Roller	33 - 19
B468 4615	Drive Roller	33 - 16
B468 4617	Roller Bracket	33 - 3
B468 4622	Short Roller Arm	33 - 7
B468 4625	Arm:Gear:Roller	33 - 8
B468 4627	Gear - 18Z	33 - 6

Part No.	Description	Page and Index No.
B468 4628	Drive Gear	33 - 5
B468 4629	Roller Shaft	33 - 9
B468 4640	Stepper Motor	33 - 10
B468 4649	Pulley - 20T/20Z	33 - 13
B468 4653	Timing Belt - 215P5M6	33 - 15
B468 4654	Timing Belt - 255P5M6	33 - 12
B468 4659	Idler Pulley - T1226P5M	33 - 14
B468 4662	Guide Plate	33 - 18
B468 4663	Guide Film	33 - 20
B468 4666	Roller Guide Plate	33 - 4
B468 4671	Knob	31 - 3
B468 4691	Tension Spring	33 - 2
B468 4715	Guide Shaft	31 - 13
B468 4718	Bracket	31 - 12
B468 4731	Gear:Paper Crimp:Drive:Rear	31 - 20
B468 4741	Gear:Paper Crimp:Drive:Front	31 - 19
B468 4744	Drive Shaft	31 - 21
B468 4745	Middle Gear	31 - 17
B468 4751	Stepper Motor Bracket	31 - 15
B468 4757	Gear - Z14	31 - 14
B468 4761	Drive Link	31 - 10
B468 4766	Tightener	29 - 5
B468 4771	Slide Guide	31 - 11
B468 4781	Sensor Bracket	25 - 13
B468 4785	Knob	31 - 2
B468 4792	Myler Guide	31 - 4
B468 4811	Motor Bracket	23 - 17
B468 4816	Timing Belt - 310P2M4	23 - 16
B468 4911	Front Inner Cover	31 - 9
B468 5444	Relay Harness - Stapler Tray	29 - 1
B468 5476	Switch Harness	39 - 7
B468 5481	Interface Harness	45 - 19
B468 5570	Upper Tray Harness	35 - 12
B468 5574	Lower Tray Harness	37 - 17
B468 5590	Interface Harness - Option	45 - 14

Part No.	Description	Page and Index No.
B468 5750	Stepper Motor	43 - 4
B468 5750	Stepper Motor	47 - 10
B468 5750	Stepper Motor - DC 12.4W	41 - 6
B468 5755	Stepper Motor - DC 12.4W	41 - 24
B468 5760	Stepper Motor	23 - 18
B468 5770	Stepper Motor	31 - 16
B468 5780	Stepper Motor - DC 20.4W	41 - 5
B468 5780	Stepper Motor	13 - 7
B468 5780	Stepper Motor - DC 20.4w	23 - 19
B468 5780	Stepper Motor - DC 20.4W	29 - 26
B468 5991	Harness Bracket	45 - 5
B468 5993	Harness Bracket - Shift Tray	45 - 4
B468 5994	Interface Bracket	45 - 18
B468 5995	Connector Bracket	41 - 12
B468 5996	Cover:Connector:Ass'y	41 - 33
B468 6200	Stapler	25 - 6
B468 6411	Adjusting Pin - Booklet Stapler	25 - 1
B468 6511	Spacer Cushion - 20mm	7 - 10
B468 7801	Decal - R7	31 - 6
B468 7801	Decal - R7	49 - 7
B468 7802	Decal - R8	31 - 5
B468 7802	Decal - R8	49 - 8
B468 7803	Decal - R9	31 - 8
B468 7803	Decal - R9	49 - 9
B468 7804	Decal - S2	31 - 7
B468 7804	Decal - S2	49 - 10
B468 7805	Decal - S1	49 - 11
B468 7805	Decal - S1	29 - 22
B468 7806	Decal - Misfeed Removal	49 - 12
B468 7806	Decal - Misfeed Removal	7 - 14
B468 7807	Decal - Staple Exchange	7 - 16
B468 7807	Decal - Staple Exchange	49 - 13
B468 7812	Caution Decal - Tray Fall	49 - 14
B468 7812	Caution Decal - Tray Fall	7 - 5
B468 7813	Decal - Tray Rise	49 - 15

Part No.	Description	Page and Index No.
B468 7813	Decal - Tray Rise	7 - 25
B468 7814	Decal:Guide Plate:Open And Clos	31 - 23
B468 W015	Release Lever Solenoid Ass'y	35 - 30
B478 2116	Reverse Roller - Stapler Tray	19 - 13
B545 1135	Angle:Harness Clamp	45 - 8
B545 2500	Guide Plate:Auxiliary:Punch:Ass'y	9 - 19
B700 4107	Spring:Return:Standard Fence	21 - 6
B706 1151	Bracket:Toner Hopper	9 - 15
C101 2360	Snap Ring	17 - 5
C203 5135	Bushing - 10x14x5.9	37 - 2
G012 1531	Magnet	15 - 19
G012 1531	Magnet	11 - 16
G020 2630	Magnetic Catch	7 - 17
G020 4429	Exit Sensor	23 - 2
G518 1237	Sheet - Shielding Plate	35 - 36
G565 4377	Upper Entrance Guide	29 - 19
H521 1311	Busing	41 - 21

Part No.	Description	Page and Index No.
AA04 3054	Timing Belt - 142 P2M4	41 - 2
AA04 3054	Timing Belt - 142 P2M4	13 - 15
AA06 0092	Release Spring	43 - 10
AA06 3529	Pressure Spring - 14.5mm	11 - 12
AA06 3529	Pressure Spring - 14.5mm	19 - 22
AA06 3529	Pressure Spring - 14.5mm	17 - 7
AA08 0238	Bushing - M6	17 - 25
AA08 0242	Bushing - 4mm	17 - 13
AA10 0006	Nut - M3.6	41 - 32
AA12 0099	Antistatic Brush - 320mm	15 - 9
AA12 0099	Antistatic Brush - 320mm	19 - 26
AA13 2024	Spacer - M6	29 - 14
AA16 1099	Lever Cushion	19 - 8
AB03 0278	Idler - 20Z	29 - 8
AB03 0374	Timing Pulley - 20Z	15 - 25
AB03 0374	Timing Pulley - 20Z	13 - 23
AF02 2147	Driven Roller	15 - 13
AF02 2147	Driven Roller	17 - 8
AF02 2147	Driven Roller	19 - 21
AF02 2147	Driven Roller	11 - 19
AG07 0014	Magnet Catch	9 - 4
AG07 0014	Magnet Catch	11 - 17
AG07 1010	Magnet Catch	17 - 10
AG07 1010	Magnet Catch	25 - 7
AH01 2019	Caster	47 - 7
AJ01 1018	Stapler	29 - 20
AW01 0057	Pegistration Sensor	11 - 3
AW01 0057	Pegistration Sensor	21 - 13
AW01 0057	Pegistration Sensor	13 - 20
AW01 0088	Sensor GP2A200LCS - Assembly	37 - 30
AW01 0088	Sensor GP2A200LCS - Assembly	35 - 18
AW01 0089	Photosensor - GP2A28C	9 - 9
AW01 0091	Photo Reflection Sensor	15 - 3
AW02 0049	Photointerruptor - OS - 580213-703	19 - 30
AW02 0049	Photointerruptor - OS - 580213-703	15 - 5

Part No.	Description	Page and Index No.
AW02 0075	Photointerruptor	35 - 5
AW02 0086	Photointerruptor	13 - 5
AW02 0086	Photointerruptor	35 - 10
AW02 0086	Photointerruptor	45 - 2
AW02 0086	Photointerruptor	21 - 16
AW02 0086	Photointerruptor	23 - 29
AW02 0086	Photointerruptor	41 - 3
AW02 0086	Photointerruptor	29 - 4
AW02 0086	Photointerruptor	39 - 11
AW02 0086	Photointerruptor	39 - 9
AW02 0086	Photointerruptor	25 - 14
AW02 0086	Photointerruptor	27 - 7
AX04 0121	Stepping Motor - DC 6.5W	43 - 3
AX05 0148	Stepper Motor	29 - 2
AX05 0183	DC Motor - 8.9W	41 - 22
AX06 0234	DC Motor - 25.1W	41 - 15

Part No.	Description	Page and Index No.
0242 0035N	Pan Head Screw - M2x3.5	23 -104
0313 0040N	Philips Pan Head Screw - M3x4	35 -102
0313 0040N	Philips Pan Head Screw - M3x4	15 -102
0313 0050N	Philips Pan Head Screw - M3x5	41 -107
0313 0060N	Philips Pan Head Screw - M3x6	37 -102
0313 0060N	Philips Pan Head Screw - M3x6	35 -103
0313 0120N	Philips Pan Head Screw - M3x12	13 -105
0313 0120N	Philips Pan Head Screw - M3x12	41 -108
0313 0120N	Philips Pan Head Screw - M3x12	9 -102
0313 0120N	Philips Pan Head Screw - M3x12	39 -109
0450 3008N	Tapping Screw - M3x8	25 -101
0450 3008N	Tapping Screw - M3x8	31 -102
0450 3008N	Tapping Screw - M3x8	21 -101
0450 3008N	Tapping Screw - M3x8	19 -102
0450 3008N	Tapping Screw - M3x8	17 -102
0450 3008N	Tapping Screw - M3x8	27 -102
0450 3008N	Tapping Screw - M3x8	7 -102
0450 3008N	Tapping Screw - M3x8	37 -103
0450 4008N	Tapping Screw - 4X8	11 -104
0451 3006N	Tapping Screw - M3x6	11 -101
0451 3006N	Tapping Screw - M3x6	29 -103
0451 3006N	Tapping Screw - M3x6	25 -102
0451 3006N	Tapping Screw - M3x6	23 -103
0451 3006N	Tapping Screw - M3x6	7 -101
0451 3006N	Tapping Screw - M3x6	31 -101
0451 3006N	Tapping Screw - M3x6	21 -104
0451 3006N	Tapping Screw - M3x6	9 -101
0451 3006N	Tapping Screw - M3x6	27 -101
0451 3006N	Tapping Screw - M3x6	33 -105
0451 3006N	Tapping Screw - M3x6	37 -105
0451 3006N	Tapping Screw - M3x6	19 -101
0451 3006N	Tapping Screw - M3x6	41 -101
0451 3006N	Tapping Screw - M3x6	13 -102
0451 3006N	Tapping Screw - M3x6	15 -101
0451 3006N	Tapping Screw - M3x6	35 -108

Part No.	Description	Page and Index No.
0451 3006N	Tapping Screw - M3x6	39 -103
0451 3006N	Tapping Screw - M3x6	47 -101
0451 3006N	Tapping Screw - M3x6	45 -101
0451 3006N	Tapping Screw - M3x6	43 -104
0451 3006N	Tapping Screw - M3x6	17 -101
0451 3008N	Tapping Screw - M3x8	43 -105
0451 3008N	Tapping Screw - M3x8	35 -101
0451 3008N	Tapping Screw - M3x8	37 -101
0451 3008N	Tapping Screw - M3x8	7 -103
0451 3014N	Tapping Screw - M3-14	15 -107
0451 4006N	Tapping Screw - 4x6	41 -114
0451 4008N	Philips Tapping Screw - M4x8	33 -104
0451 4008N	Tapping Screw - 4x8	7 -104
0451 4014N	Tapping Screw - M4x14	7 -105
0452 3006N	Tapping Screw - M3x6	29 -102
0452 3008N	Tapping Screw - M3x8	39 -110
0453 3006N	Tapping Screw - M3x6	43 -106
0453 3006N	Tapping Screw - M3x6	27 -106
0453 3006N	Tapping Screw - M3x6	47 -104
0574 0040E	Hexagon Headless Set Screw - M4x4	41 -104
0623 0120E	Spring Pin - M3x12	19 -107
0632 0100G	Pin - 2x10mm	27 -104
0632 0120G	Parallel Pin - 2x12	37 -109
0633 0120G	Parallel Pin - 3x12	39 -104
0634 0200G	Parallel Pin - 4x20	37 -107
0710 0020E	Hexagonal Nut - M2	23 -105
0720 0030E	Retaining Ring - M3	39 -108
0720 0040E	Retaining Ring - M4	29 -104
0720 0040E	Retaining Ring - M4	31 -103
0720 0040E	Retaining Ring - M4	33 -103
0720 0040E	Retaining Ring - M4	35 -105
0720 0040E	Retaining Ring - M4	39 -106
0720 0040E	Retaining Ring - M4	37 -110
0720 0040E	Retaining Ring - M4	21 -102
0720 0040E	Retaining Ring - M4	41 -109

Part No.	Description	Page and Index No.
0720 0040E	Retaining Ring - M4	17 -103
0720 0040E	Retaining Ring - M4	9 -106
0720 0040E	Retaining Ring - M4	19 -104
0720 0040E	Retaining Ring - M4	11 -103
0720 0040E	Retaining Ring - M4	23 -101
0720 0040E	Retaining Ring - M4	13 -103
0720 0060E	Retaining Ring - M6	41 -105
0720 0060E	Retaining Ring - M6	35 -106
0720 0060E	Retaining Ring - M6	37 -108
0720 0060E	Retaining Ring - M6	31 -105
0720 0060E	Retaining Ring - M6	39 -105
0720 0060E	Retaining Ring - M6	29 -106
0720 0060E	Retaining Ring - M6	33 -102
0741 3506	Ball Bearing - 6x12x4 Mm	19 -105
0741 3506	Ball Bearing - 6x12x4 Mm	17 -104
0741 3506	Ball Bearing - 6x12x4 Mm	9 -107
0741 3506	Ball Bearing - 6x12x4 Mm	15 -103
0741 3506	Ball Bearing - 6x12x4 mm	13 -104
0741 3808	Ball Bearing - 8x16x5mm	33 -101
0802 5276	Tapping Screw With Washer - M3x6	35 -109
0802 5276	Tapping Screw With Washer - M3x6	37 -104
0802 5276	Tapping Screw With Washer - M3x6	9 -105
0802 5277	Tapping Screw	47 -102
0804 6075	Hexagonal Bolt - M3x8	25 -103
0804 6075	Hexagonal Bolt - M3x8	21 -103
0805 0088	Retaining Ring - M6	19 -106
0805 0088	Retaining Ring - M6	37 -111
0805 0089	Retaining Ring - M4	11 -102
0805 0089	Retaining Ring - M4	9 -104
0805 0089	Retaining Ring - M4	23 -109
0805 0089	Retaining Ring - M4	27 -103
0805 0089	Retaining Ring - M4	15 -106
0805 0089	Retaining Ring - M4	17 -105
0805 0089	Retaining Ring - M4	19 -103
0805 0089	Retaining Ring - M4	39 -111

Part No.	Description	Page and Index No.
0805 0092	Retaining Ring - 3m	39 -112
0805 3383	Bushing - M5	41 -110
0805 3385	Bushing - 6mm	23 -106
0807 4118	Flat Washer	41 -111
0807 5056	Washer - 8.1mm	41 -106
0950 3005N	Philips Screw With Spring Washer -	29 -108
0950 3005N	Philips Screw With Spring Washer	23 -108
0950 3005N	Philips Screw With Spring Washer -	23 -110
0950 3006N	Sem.s Screw - M3x6	47 -108
1102 8534	Connector - QR/P17-14S-B	41 -113
1105 0010	Nylon Clamp - 6N	29 -110
1105 0109	Cord Keep	35 -104
1105 0231	Clamp	43 -103
1105 0328	Harness Clamp - ES-0505	39 -101
1105 0328	Harness Clamp - ES-0505	35 -111
1105 0328	Harness Clamp - ES-0505	15 -104
1105 0328	Harness Clamp - ES-0505	31 -104
1105 0328	Harness Clamp - ES-0505	43 -102
1105 0334	Edge - 17	43 -101
1105 0409	Card Spacer- 6.4mm	45 -107
1105 0487	Harness Clamp	25 -104
1105 0487	Harness Clamp	47 -107
1105 0487	Harness Clamp	45 -105
1105 0487	Clamp	13 -107
1105 0487	Harness Clamp	23 -102
1105 0487	Harness Clamp	37 -106
1105 0487	Harness Clamp	39 -107
1105 0487	Harness Clamp	35 -107
1105 0487	Harness Clamp	41 -102
1105 0487	Harness Clamp	29 -101
1105 0488	Harness Clamp	47 -106
1105 0488	Harness Clamp	25 -105
1105 0488	Harness Clamp	45 -103
1105 0488	Harness Clamp	43 -107
1105 0489	Harness Clamp - LWS 1316	47 -105

Part No.	Description	Page and Index No.
1105 0489	Harness Clamp - LWS 1316	25 -107
1105 0511	Harness Clamp - LWS-0306ZC	43 -108
1105 0511	Harness Clamp - LWS-0306ZC	13 -101
1105 0511	Harness Clamp - LWS-0306ZC	27 -105
1105 0511	Harness Clamp - LWS-0306ZC	35 -110
1105 0511	Harness Clamp - LWS-0306ZC	29 -105
1105 0511	Harness Clamp - LWS-0306ZC	45 -102
1105 0511	Harness Clamp - LWS-0306ZC	23 -107
1105 0511	Harness Clamp - LWS-0306ZC	9 -103
1105 0511	Harness Clamp - LWS-0306ZC	41 -103
1105 0511	Harness Clamp - LWS-0306ZC	19 -108
1105 0511	Harness Clamp - LWS-0306ZC	15 -105
1105 0511	Harness Clamp - LWS-0306ZC	39 -102
1105 0514	Edge Saddle - EDS-0607I	25 -106
1105 0516	Clamp	45 -106
1105 0516	Clamp	35 -112
1105 0516	Clamp	29 -109
1105 0522	Edge Saddle - Les0510	23 -111
1106 0289	Bushing - SR-5N-1	45 -104
1204 2233	Microswitch - AH715254N	13 -106
1204 2233	Microswitch - AH715254N	41 -112
1204 2384	Interlock Switch	47 -103
1607 0623	Ferrite Core - TFC-16-8-13	13 -109
1607 0623	Ferrite Core - TFC-16-8-13	29 -107

Part No.	Description	Page and Index No.
5053 0223	Bushing - 8mm	29 - 27
5053 0223	Bushing - 8mm	37 - 6
5053 0223	Bushing - 8mm	31 - 18
5053 0447	Bushing - 6mm	13 - 2
5053 0447	Bushing - 6mm	39 - 31
5053 0447	Bushing - 6mm	15 - 1
5053 0447	Bushing - 6mm	17 - 4
5053 0447	Bushing - 6mm	19 - 7
5053 0447	Bushing - 6mm	35 - 17
5053 0447	Bushing - 6mm	9 - 1
5053 0447	Bushing - 6mm	29 - 35
5053 0447	Bushing - 6mm	27 - 12
5447 2681	Snap Ring	39 - 35
5447 2681	Snap Ring	21 - 12
5447 2681	Snap Ring	23 - 27
5447 2681	Snap Ring	19 - 14
5447 2681	Snap Ring	13 - 9
5875 2088	Shoulder Screw - M4	35 - 7
5875 2088	Shoulder Screw - M4	13 - 27
5919 2127	Positioning Roller Pulley	19 - 11
5919 2132	Positioning Roller Belt	19 - 12